

W-13S-2




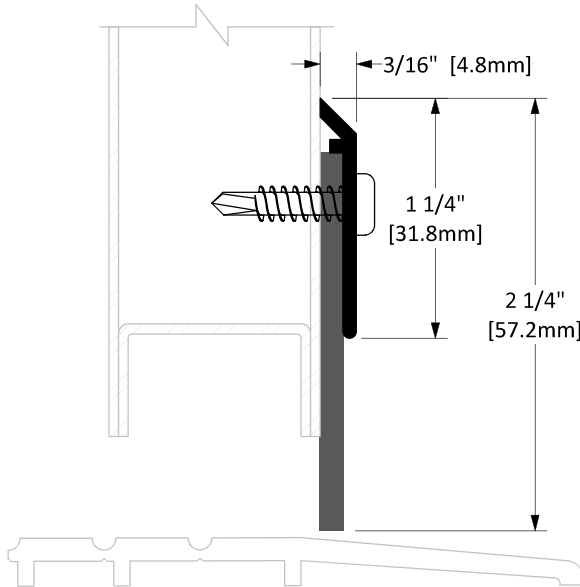
Intertek

Finish Options

STD	Clear Anodized
	Bronze Anodized
	Black Anodized

Screw Options

STANDARD	 SCREW TYPE: A #8 X 3/4" STAINLESS STEEL PAN HEAD, ROBERTSON DRIVE, TEK SCREWS
	 SCREW TYPE: B #8 X 3/4" STAINLESS STEEL PAN HEAD, TAMPER-RESISTANT TORX DRIVE, TEK SCREWS



Operation	Door Sweep
Features	<ul style="list-style-type: none"> Clear Anodized Extruded Aluminum with Black Solid Neoprene
Application	<ul style="list-style-type: none"> Ideal for Residential, Commercial & Industrial

Part No.:

Part Description:

Customer Name:

Job No./Name:

Date:

Provided By:

Notes: