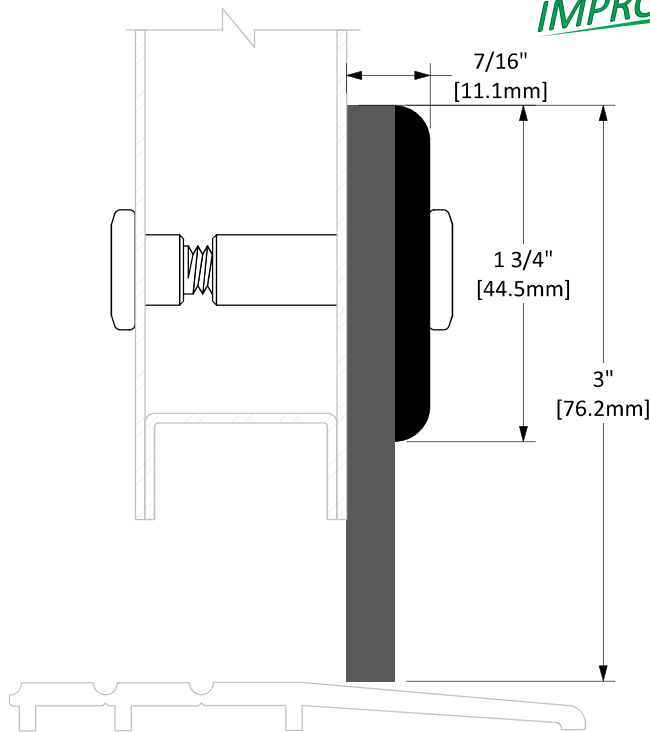


# W-19



Intertek

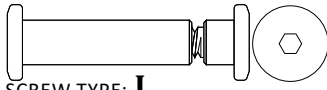
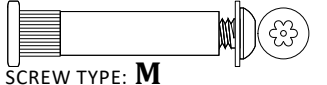
**IMPROVED**



### Finish Options

**STD** Mill Finish

### Screw Options

<b>STANDARD</b>	
	<p>SCREW TYPE: <b>L</b>          WC-USB CUSTOM STAINLESS STEEL HEX DRIVE, UNIVERSAL CONNECTOR BOLT Ø3/8" OR "V" DRILL BIT CLEARANCE HOLE REQUIRED</p>
<b>OPTIONAL</b>	
	<p>SCREW TYPE: <b>M</b>          1/4-20 x 3/4" STAINLESS STEEL BUTTON HEAD, TAMPER-RESISTANT TORX, MACHINE SCREW WITH SECURITY SLEEVE &amp; WASHER</p>

<b>Operation</b>	Heavy Duty Door Sweep
<b>Features</b>	<ul style="list-style-type: none"> <li>Extruded Aluminum with 1/4" Thick Solid Neoprene</li> </ul>
<b>Application</b>	<ul style="list-style-type: none"> <li>Ideal for Commercial &amp; Industrial</li> </ul>

**Part No.:**

**Part Description:**

**Customer Name:**

**Job No./Name:**

**Date:**

**Provided By:**

**Notes:**