

W-24S





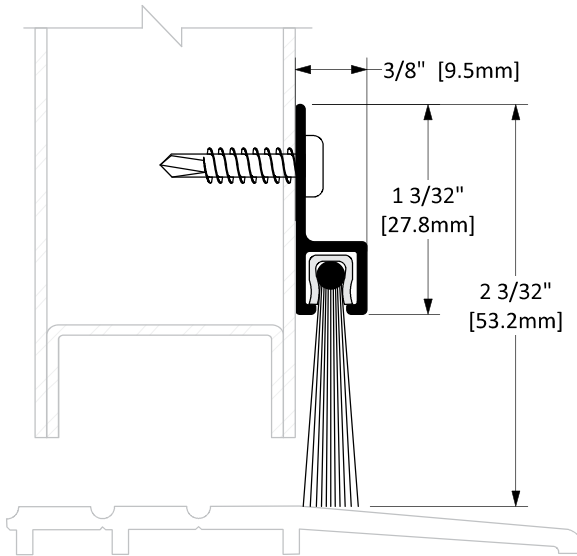
Intertek

Finish Options

OPT	STD	Clear Anodized
		Bronze Anodized
		Black Anodized

Screw Options

STANDARD		SCREW TYPE: A #8 X 3/4" STAINLESS STEEL PAN HEAD, ROBERTSON DRIVE, TEK SCREWS
		SCREW TYPE: B #8 X 3/4" STAINLESS STEEL PAN HEAD, TAMPER-RESISTANT TORX DRIVE, TEK SCREWS
OPTIONAL		



Operation	Door Sweep
Features	<ul style="list-style-type: none"> • Clear Anodized Extruded Aluminum with 1" Nylon Brush
Application	<ul style="list-style-type: none"> • Ideal for Residential, Commercial & Industrial

Part No.:

Part Description:

Customer Name:

Job No./Name:

Date:

Provided By:

Notes: