



**K.N. CROWDER MFG. INC.**  
 1220 BURLOAK DRIVE  
 BURLINGTON, ONTARIO  
 L7L 6B3 CANADA

**K.N. CROWDER. INC.**  
 210 EIGHTH STREET SOUTH  
 LEWISTON, NEW YORK  
 14092 U.S.A.

TOLL-FREE PHONE: 1-866-999-1KNC (1562)  
 WEBSITE: kncrowder.com  
 EMAIL: customerservice@kncrowder.com

# W-26-1

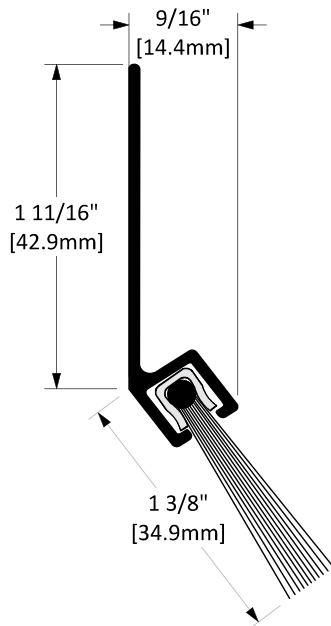


Intertek

### Finish Options

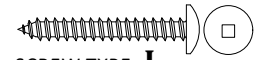
STD

Mill Finish



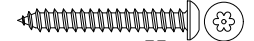
### Screw Options

STANDARD



SCREW TYPE: **J**  
 #10 X 1-1/2" STAINLESS STEEL  
 TRUSS HEAD, ROBERTSON DRIVE,  
 TYPE A SCREWS

OPTIONAL



SCREW TYPE: **K**  
 #10 X 1-1/2" STAINLESS STEEL  
 BUTTON HEAD, TAMPER-  
 RESISTANT TORX DRIVE, TYPE A  
 SCREWS

<b>Operation</b>	Door Sweep
<b>Features</b>	<ul style="list-style-type: none"> <li>• Mill Finish 2" Aluminum Angle with 1" Nylon Brush</li> </ul>
<b>Application</b>	<ul style="list-style-type: none"> <li>• Ideal for Residential, Commercial &amp; Industrial</li> </ul>

**Part No.:**

**Part Description:**

**Customer Name:**

**Job No./Name:**

**Date:**

**Provided By:**

**Notes:**