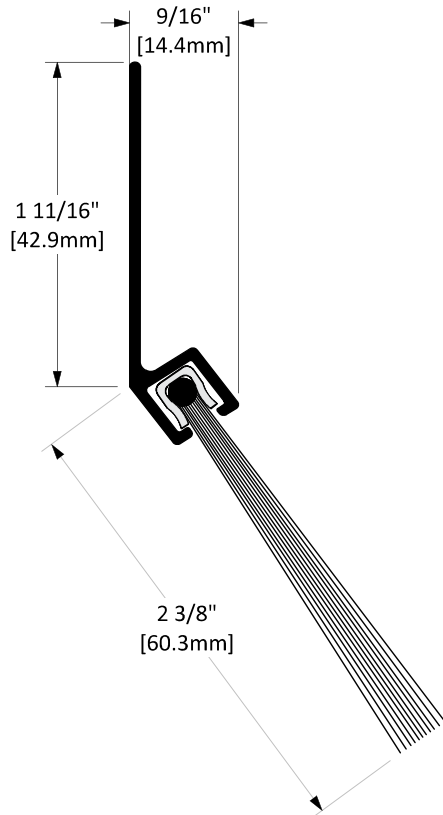


# W-26-2



**Intertek**



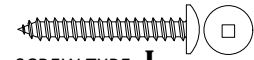
### Finish Options

**STD**

Mill Finish

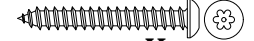
### Screw Options

**STANDARD**



SCREW TYPE: **J**  
 #10 X 1-1/2" STAINLESS STEEL  
 TRUSS HEAD, ROBERTSON DRIVE,  
 TYPE A SCREWS

**OPTIONAL**



SCREW TYPE: **K**  
 #10 X 1-1/2" STAINLESS STEEL  
 BUTTON HEAD, TAMPER-  
 RESISTANT TORX DRIVE, TYPE A  
 SCREWS

<b>Operation</b>	Door Sweep
<b>Features</b>	<ul style="list-style-type: none"> <li>• Mill Finish 2" Aluminum Angle with 2" Nylon Brush</li> </ul>
<b>Application</b>	<ul style="list-style-type: none"> <li>• Ideal for Residential, Commercial &amp; Industrial</li> </ul>

**Part No.:**

**Part Description:**

**Customer Name:**

**Job No./Name:**

**Date:**

**Provided By:**

**Notes:**