



K.N. CROWDER MFG. INC.
 1220 BURLOAK DRIVE
 BURLINGTON, ONTARIO
 L7L 6B3 CANADA

K.N. CROWDER. INC.
 210 EIGHTH STREET SOUTH
 LEWISTON, NEW YORK
 14092 U.S.A.

TOLL-FREE PHONE: 1-866-999-1KNC (1562)
 WEBSITE: kncrowder.com
 EMAIL: customerservice@kncrowder.com

W-37-1

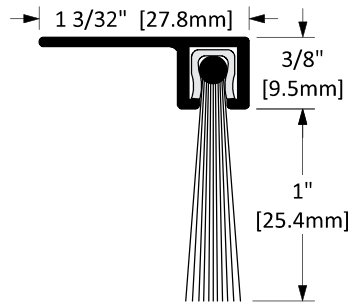


Intertek

Finish Options

STD

Clear Anodized



Screw Options

STANDARD



SCREW TYPE: **A**
 #8 X 3/4" STAINLESS STEEL PAN
 HEAD, ROBERTSON DRIVE, TEK
 SCREWS

OPTIONAL



SCREW TYPE: **B**
 #8 X 3/4" STAINLESS STEEL PAN
 HEAD, TAMPER-RESISTANT TORX
 DRIVE, TEK SCREWS

Operation	Door Sweep
Features	<ul style="list-style-type: none"> Clear Anodized Extruded Aluminum with 1" Nylon Brush
Application	<ul style="list-style-type: none"> Ideal for Residential, Commercial & Industrial

Part No.:

Part Description:

Customer Name:

Job No./Name:

Date:

Provided By:

Notes: