



K.N. CROWDER MFG. INC.
 1220 BURLOAK DRIVE
 BURLINGTON, ONTARIO
 L7L 6B3 CANADA

K.N. CROWDER. INC.
 210 EIGHTH STREET SOUTH
 LEWISTON, NEW YORK
 14092 U.S.A.

TOLL-FREE PHONE: 1-866-999-1KNC (1562)
 WEBSITE: kncrowder.com
 EMAIL: customerservice@kncrowder.com

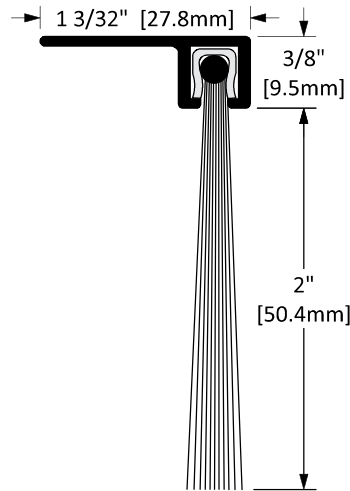
W-37-2



Intertek

Finish Options

STD Clear Anodized



Screw Options

STANDARD	<p>SCREW TYPE: A #8 X 3/4" STAINLESS STEEL PAN HEAD, ROBERTSON DRIVE, TEK SCREWS</p>
	<p>SCREW TYPE: B #8 X 3/4" STAINLESS STEEL PAN HEAD, TAMPER-RESISTANT TORX DRIVE, TEK SCREWS</p>

Operation	Door Sweep
Features	<ul style="list-style-type: none"> Clear Anodized Extruded Aluminum with 2" Nylon Brush
Application	<ul style="list-style-type: none"> Ideal for Residential, Commercial & Industrial

Part No.: _____ **Part Description:** _____

Customer Name: _____ **Job No./Name:** _____ **Date:** _____ **Provided By:** _____

Notes: _____