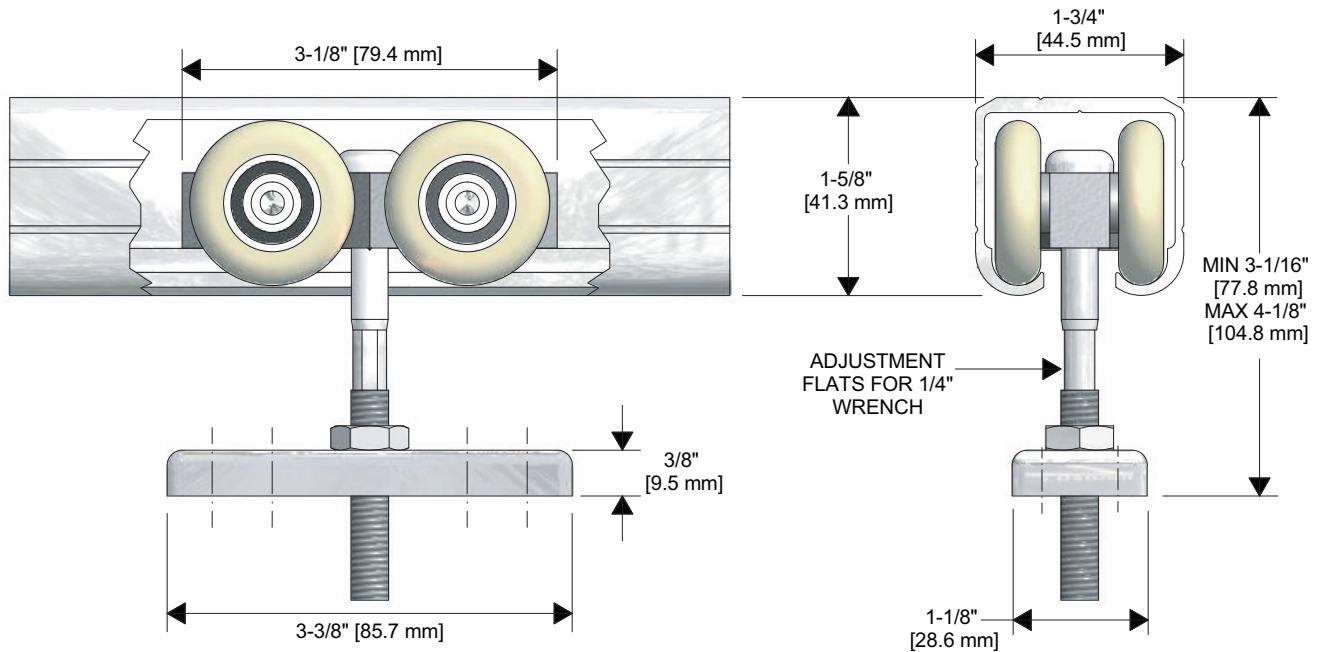


## C-106-4



### KEY FEATURES:

- Top mount hanger (**C-106-4**)
- For Single, Bi-parting, By-Passing, Pocket or Wall Mounted doors.
- Four Precision Ground Ball Bearing, Nylon Tire Wheels.
- Use with Extruded Aluminum **C-104** Track, 6063T5 Alloy
- Load Capacity **175lbs. (two hangers)**



<b>Part Number:</b>		<b>Part Description:</b>	
<b>Customer Name:</b>	<b>Job Number/Name:</b>	<b>Date:</b>	<b>Provided By:</b>
<b>Notes:</b>			