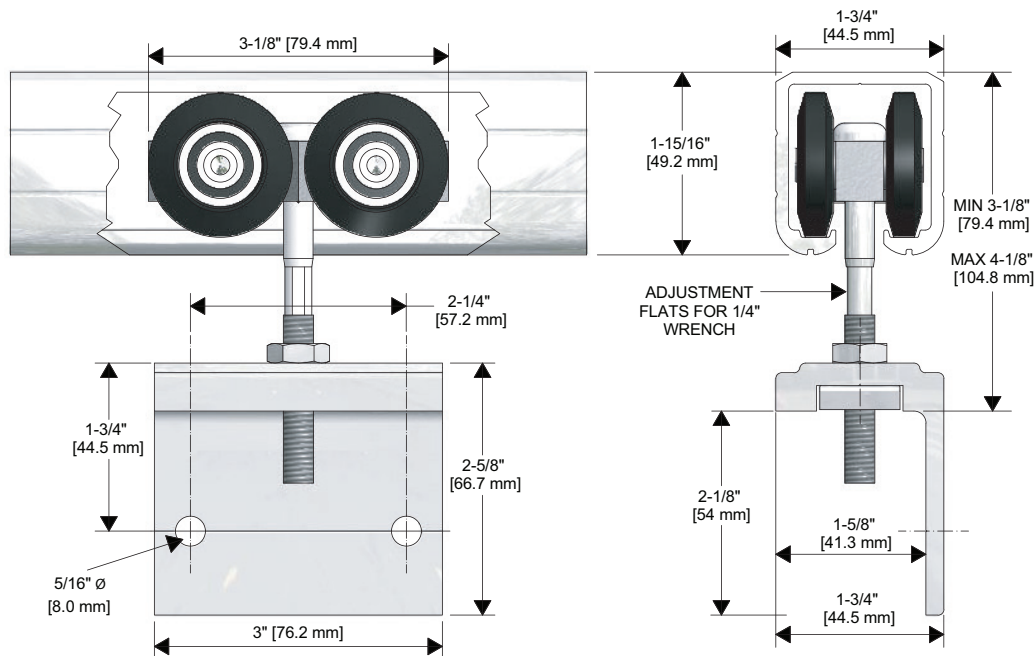


## C-203-4



### KEY FEATURES:

- Top & Face mount hanger (**C-203-4**)
- Heavy-duty Steel hanger for Single, Bi-parting, By-Passing, Pocket or Wall Mounted doors.
- Provides secure grip for heavy loads.
- Four Precision Ground Ball Bearing, Steel Tire Wheels.
- Use with Extruded Aluminum **C-204** Track, 6061T6 Alloy
- Load Capacity **250lbs. (two hangers)**



<b>Part Number:</b>	<b>Part Description:</b>		
<b>Customer Name:</b>	<b>Job Number/Name:</b>	<b>Date:</b>	<b>Provided By:</b>
<b>Notes:</b>			