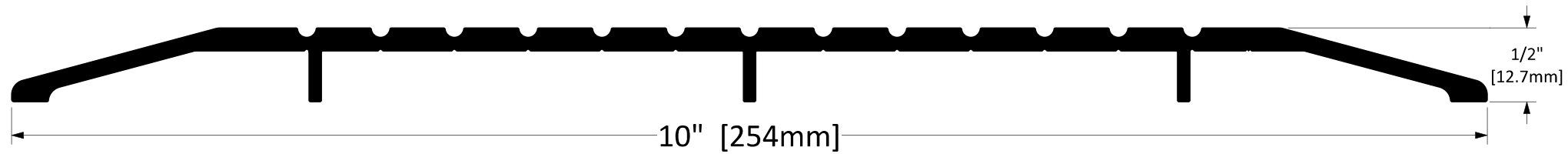


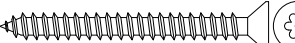


# CT-33



### Screw Options

|          |   |
|----------|---|
| STANDARD | <br>SCREW TYPE: <b>G</b><br>3/16" X 1-3/4" HI-LO TAPPING<br>THREAD, GREY PHILLIPS DRIVE,<br>CONCRETE SCREWS<br>(5/32" PRE-DRILL REQUIRED)        |
|          | <br>SCREW TYPE: <b>H</b><br>#10 X 1-3/4" STAINLESS STEEL<br>FLAT HEAD, ROBERTSON DRIVE,<br>TYPE A SCREWS<br>(COMPLETE WITH NYLON ANCHOR)         |
| OPTIONAL | <br>SCREW TYPE: <b>I</b><br>#10 X 2" STAINLESS STEEL FLAT<br>HEAD, TAMPER-RESISTANT TORX<br>DRIVE, TYPE A SCREWS<br>(COMPLETE WITH NYLON ANCHOR) |

### Finish Options

**STD** Mill Finish

**Part No.:**

**Part Description:**

**Customer Name:**

**Job No./Name:**

**Date:**

**Provided By:**

**Notes:**

|                    |  |
|--------------------|--|
| <b>Operation</b>   | Threshold  |
| <b>Features</b>    | <ul style="list-style-type: none"> <li>Mill Finish Extruded Aluminum</li> </ul>                      |
| <b>Application</b> | <ul style="list-style-type: none"> <li>Ideal for Residential, Commercial &amp; Industrial</li> </ul> |