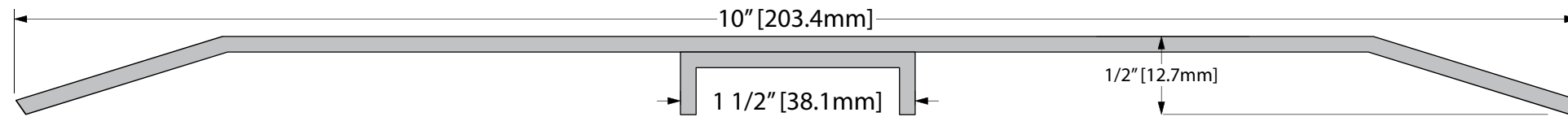
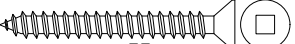





# CT-33SS



### Screw Options

STANDARD	 SCREW TYPE: <b>H</b> #10 X 1-3/4" STAINLESS STEEL FLAT HEAD, ROBERTSON DRIVE, TYPE A SCREWS (COMPLETE WITH NYLON ANCHOR)
	 SCREW TYPE: <b>I</b> #10 X 2" STAINLESS STEEL FLAT HEAD, TAMPER-RESISTANT TORX DRIVE, TYPE A SCREWS (COMPLETE WITH NYLON ANCHOR)

### Finish Options

**STD** 11 GA. 304 Stainless Steel 2B

<b>Operation</b>	Threshold
<b>Features</b>	<ul style="list-style-type: none"> <li>Stainless Steel</li> </ul>
<b>Application</b>	<ul style="list-style-type: none"> <li>Ideal for Residential, Commercial &amp; Industrial</li> </ul>

**Part No.:**

**Part Description:**

**Customer Name:**

**Job No./Name:**

**Date:**

**Provided By:**

**Notes:**