



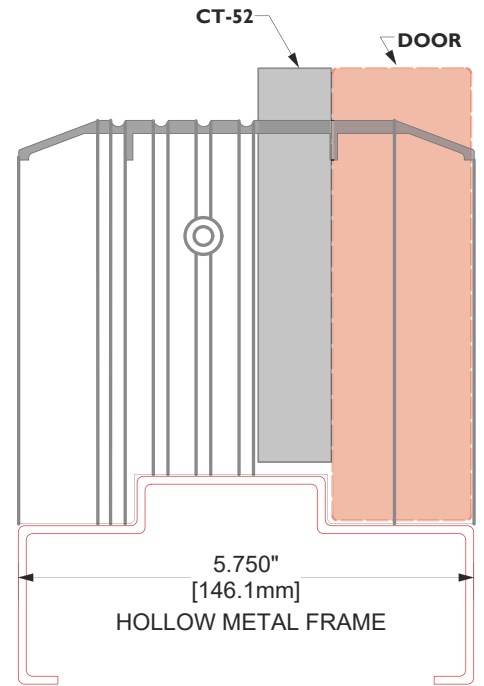
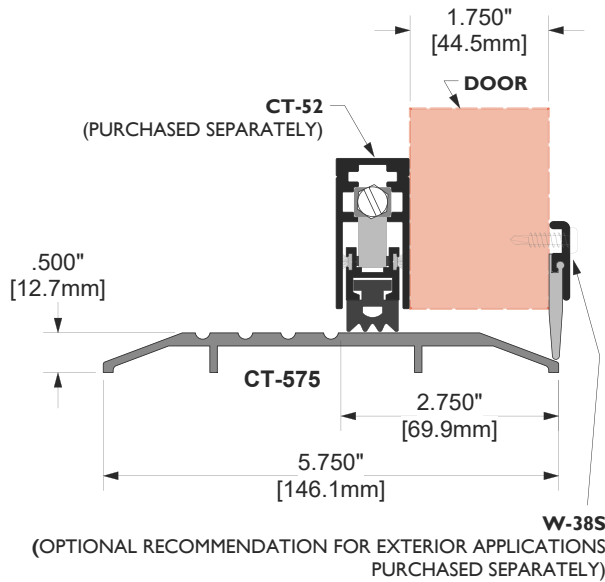
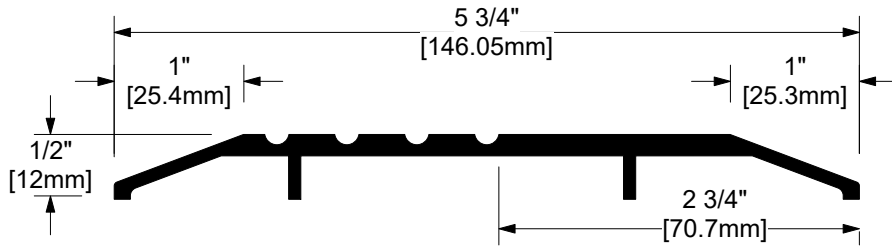
K.N.CROWDER MFG. INC

K.N. CROWDER MFG. INC. 1220 Burloak Drive, Burlington, Ontario L7L 6B3
Telephone: 905-315-9788 Fax: 905-315-8090

K.N. CROWDER INC. 210 Eighth Street South, Lewiston, New York 14092
Telephone: 716-754-8247

Toll Free Telephone: 1-866-999-1KNC (1562) Toll Free Fax: 1-800-567-0123
Email: customerservice@kncrowder.com
Website: <http://www.kncrowder.com>

CT-575



KEY FEATURES:

OPERATION:

- Automatic Door Bottom Threshold

MATERIAL:

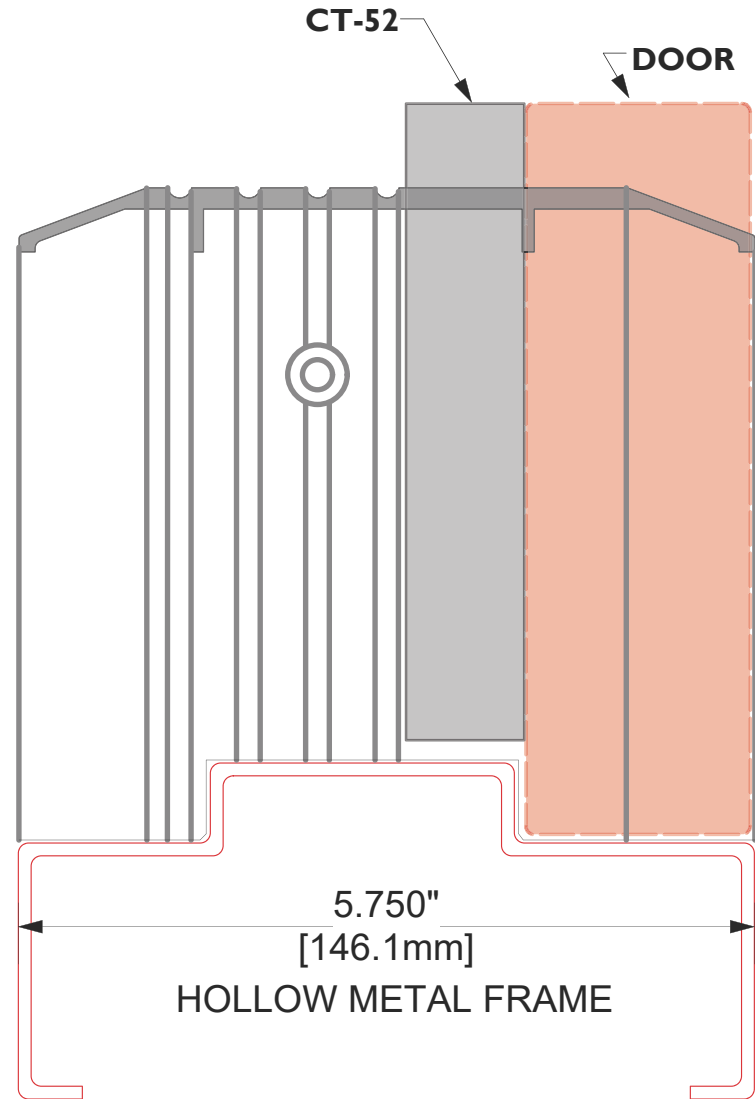
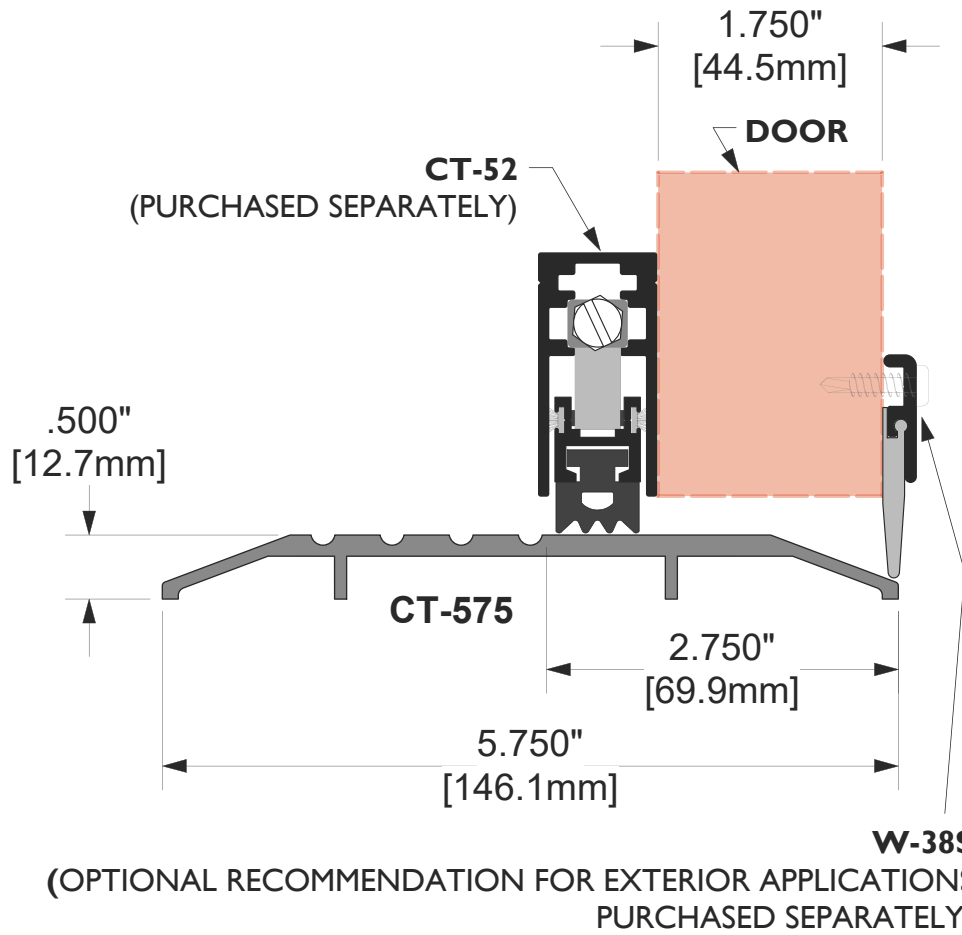
- Mill Finish Extruded Aluminum

APPLICATION:

- Ideal for use with openings with Automatic Door Bottoms on flat surface of threshold
- Ideal for use with 5-3/4" Hollow Metal Frames

Part Number:		Part Description:	
Customer Name:	Job Number/Name:	Date:	Provided By:
Notes:			

CT-575 ADB + HOLLOW METAL FRAME THRESHOLD



PRODUCT: CT-575 THRESHOLD DETAILS				 <small>1220 BURLOAK DRIVE BURLINGTON, ONTARIO, L7L 6B3 PHONE: 905-315-9788 or 716-754-8247 (US) TOLL FREE FAX: 1-800-567-0123 www.kncrowder.com</small>	
CUSTOMER:					
PROJECT:					
DWG N°:	REV N°:	DATE:	DESCRIPTION:	BY:	
DRAWN BY: G.PARON	SCALE: NOT TO	SCALE			
DATE: MAY 2017					

THIS DRAWING IS THE PROPERTY OF K.N. CROWDER MFG. INC. AND IS SUBJECT TO RETURN UPON DEMAND. IT MUST NOT BE TRACED, COPIED, OR REPRODUCED IN ANY MANNER, NOR SUBMITTED TO ANY OUTSIDE PARTIES FOR EXAMINATION WITHOUT OUR CONSENT.