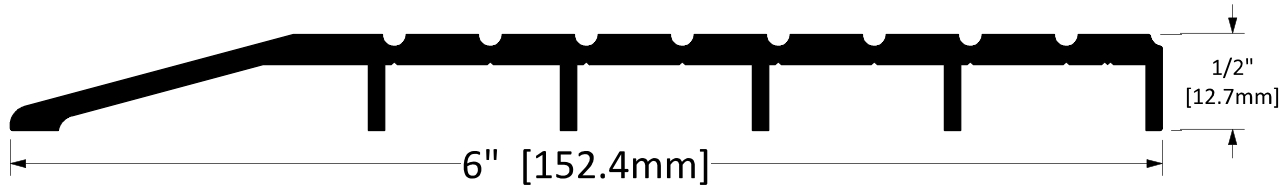





# CT-806



### Finish Options

OPTIONAL	STD	Mill Finish
		Bronze Anodized
		Black Anodized
		Clear Anodized

### Screw Options

STANDARD		SCREW TYPE: <b>G</b> 3/16" x 1-3/4" HI-LO TAPPING THREAD, GREY PHILLIPS DRIVE, CONCRETE SCREWS (5/32" PRE-DRILL REQUIRED)
		SCREW TYPE: <b>H</b> #10 x 1-3/4" STAINLESS STEEL FLAT HEAD, ROBERTSON DRIVE, TYPE A SCREWS (COMPLETE WITH NYLON ANCHOR)
		SCREW TYPE: <b>I</b> #10 x 2" STAINLESS STEEL FLAT HEAD, TAMPER-RESISTANT TORX DRIVE, TYPE A SCREWS (COMPLETE WITH NYLON ANCHOR)

<b>Operation</b>	Threshold
<b>Features</b>	<ul style="list-style-type: none"> <li>• Mill Finish Extruded Aluminum</li> </ul>
<b>Application</b>	<ul style="list-style-type: none"> <li>• Ideal for Residential, Commercial &amp; Industrial</li> </ul>

**Part No.:** \_\_\_\_\_ **Part Description:** \_\_\_\_\_

**Customer Name:** \_\_\_\_\_ **Job No./Name:** \_\_\_\_\_ **Date:** \_\_\_\_\_ **Provided By:** \_\_\_\_\_

**Notes:**