



K.N. CROWDER MFG. INC.
 1220 BURLOAK DRIVE
 BURLINGTON, ONTARIO
 L7L 6B3 CANADA

K.N. CROWDER. INC.
 210 EIGHTH STREET SOUTH
 LEWISTON, NEW YORK
 14092 U.S.A.

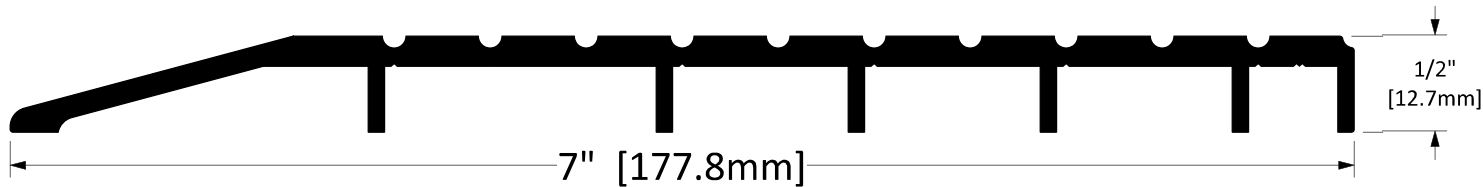
TOLL-FREE PHONE: 1-866-999-1KNC (1562)
 WEBSITE: kncrowder.com
 EMAIL: customerservice@kncrowder.com

CT-807





Finish Options


- STD** Mill Finish
- OPTIONAL** Bronze Anodized
- OPTIONAL** Black Anodized
- OPTIONAL** Clear Anodized



Screw Options

- STANDARD**


SCREW TYPE: **G**
 3/16" x 1-3/4" HI-LO TAPPING
 THREAD, GREY PHILLIPS DRIVE,
 CONCRETE SCREWS
 (5/32" PRE-DRILL REQUIRED)
- OPTIONAL**


SCREW TYPE: **H**
 #10 X 1-3/4" STAINLESS STEEL
 FLAT HEAD, ROBERTSON DRIVE,
 TYPE A SCREWS
 (COMPLETE WITH NYLON ANCHOR)
- OPTIONAL**


SCREW TYPE: **I**
 #10 X 2" STAINLESS STEEL FLAT
 HEAD, TAMPER-RESISTANT TORX
 DRIVE, TYPE A SCREWS
 (COMPLETE WITH NYLON ANCHOR)

Operation	Threshold
Features	<ul style="list-style-type: none"> • Mill Finish Extruded Aluminum
Application	<ul style="list-style-type: none"> • Ideal for Residential, Commercial & Industrial

Part No.: **Part Description:**

Customer Name: **Job No./Name:** **Date:** **Provided By:**

Notes: