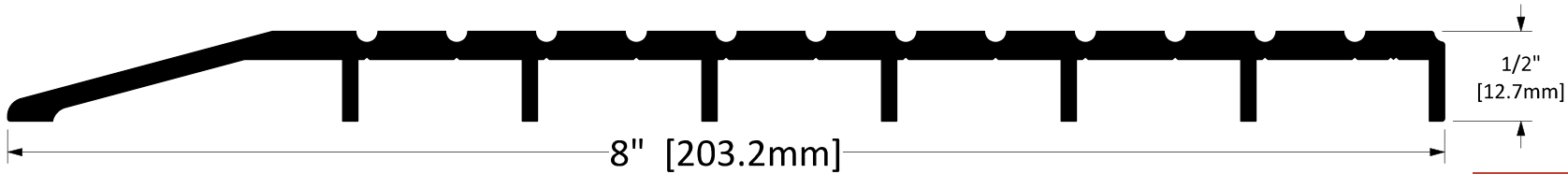


CT-808




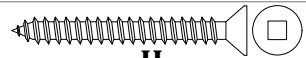
Finish Options


- OPTIONAL STD**
- Mill Finish
 - Bronze Anodized
 - Black Anodized
 - Clear Anodized



Screw Options

- STANDARD**
- 

SCREW TYPE: **G**
 3/16" x 1-3/4" HI-LO TAPPING
 THREAD, GREY PHILLIPS DRIVE,
 CONCRETE SCREWS
 (5/32" PRE-DRILL REQUIRED)
 - 

SCREW TYPE: **H**
 #10 X 1-3/4" STAINLESS STEEL
 FLAT HEAD, ROBERTSON DRIVE,
 TYPE A SCREWS
 (COMPLETE WITH NYLON ANCHOR)
 - 

SCREW TYPE: **I**
 #10 X 2" STAINLESS STEEL FLAT
 HEAD, TAMPER-RESISTANT TORX
 DRIVE, TYPE A SCREWS
 (COMPLETE WITH NYLON ANCHOR)
- OPTIONAL**

Operation	Threshold
Features	<ul style="list-style-type: none"> Mill Finish Extruded Aluminum
Application	<ul style="list-style-type: none"> Ideal for Residential, Commercial & Industrial

Part No.: _____ **Part Description:** _____

Customer Name: _____ **Job No./Name:** _____ **Date:** _____ **Provided By:** _____

Notes: