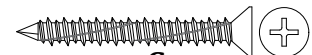
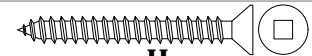





# CT-812



### Screw Options

STANDARD	 <p>SCREW TYPE: <b>G</b>          3/16" X 1-3/4" HI-LO TAPPING          THREAD, GREY PHILLIPS DRIVE,          CONCRETE SCREWS          (5/32" PRE-DRILL REQUIRED)</p>
	 <p>SCREW TYPE: <b>H</b>          #10 X 1-3/4" STAINLESS STEEL          FLAT HEAD, ROBERTSON DRIVE,          TYPE A SCREWS          (COMPLETE WITH NYLON ANCHOR)</p>
OPTIONAL	 <p>SCREW TYPE: <b>I</b>          #10 X 2" STAINLESS STEEL FLAT          HEAD, TAMPER-RESISTANT TORX          DRIVE, TYPE A SCREWS          (COMPLETE WITH NYLON ANCHOR)</p>

### Finish Options

**STD** Mill Finish

<b>Operation</b>	Threshold
<b>Features</b>	<ul style="list-style-type: none"> <li>Mill Finish Extruded Aluminum</li> </ul>
<b>Application</b>	<ul style="list-style-type: none"> <li>Ideal for Residential, Commercial &amp; Industrial</li> </ul>

**Part No.:** \_\_\_\_\_ **Part Description:** \_\_\_\_\_

**Customer Name:** \_\_\_\_\_ **Job No./Name:** \_\_\_\_\_ **Date:** \_\_\_\_\_ **Provided By:** \_\_\_\_\_

**Notes:** \_\_\_\_\_