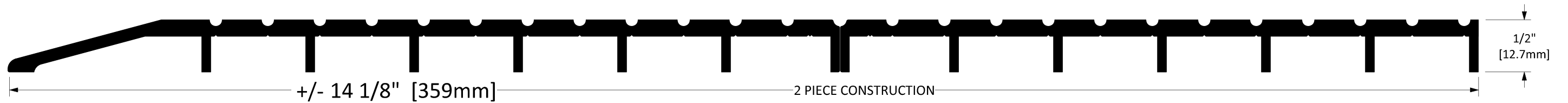
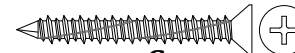
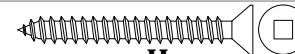





# CT-814



### Screw Options

- |                 |                                                                                                                                                                                                                                       |
|-----------------|---------------------------------------------------------------------------------------------------------------------------------------------------------------------------------------------------------------------------------------|
| <b>STANDARD</b> | <br><b>SCREW TYPE: G</b><br>3/16" X 1-3/4" HI-LO TAPPING<br>THREAD, GREY PHILLIPS DRIVE,<br>CONCRETE SCREWS<br>(5/32" PRE-DRILL REQUIRED)        |
| <b>OPTIONAL</b> | <br><b>SCREW TYPE: H</b><br>#10 X 1-3/4" STAINLESS STEEL<br>FLAT HEAD, ROBERTSON DRIVE,<br>TYPE A SCREWS<br>(COMPLETE WITH NYLON ANCHOR)         |
|                 | <br><b>SCREW TYPE: I</b><br>#10 X 2" STAINLESS STEEL FLAT<br>HEAD, TAMPER-RESISTANT TORX<br>DRIVE, TYPE A SCREWS<br>(COMPLETE WITH NYLON ANCHOR) |

### Finish Options

**STD** Mill Finish

<b>Operation</b>	Threshold
<b>Features</b>	<ul style="list-style-type: none"> <li>Mill Finish Extruded Aluminum</li> </ul>
<b>Application</b>	<ul style="list-style-type: none"> <li>Ideal for Residential, Commercial &amp; Industrial</li> </ul>

**Part No.:**                      **Part Description:**

**Customer Name:**                      **Job No./Name:**                      **Date:**                      **Provided By:**

**Notes:**