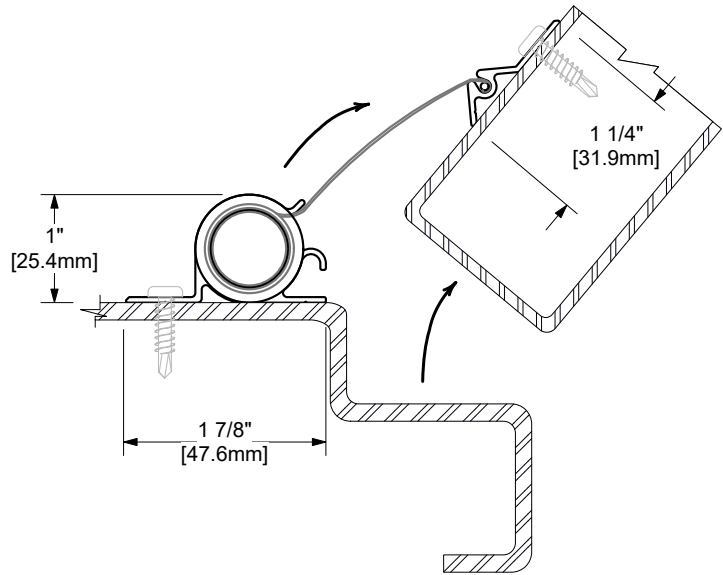


## W-90



### KEY FEATURES:

**OPERATION:**

- Finger Guard

**MATERIAL:**

- Clear Anodized Extruded Aluminum Housing with Polyethylene Fabric

**APPLICATION:**

- Designed to help prevent injury to fingers accidentally placed in the hinge area of a door
- Features an internal spring mechanism that maintains constant tension against the polyethylene fabric which helps prevent fingers from entering the dangerous area behind the edge of the door
- Ideal for senior & childcare facilities
- Durable “endless cycle” spring mechanism
- Fire resistant woven polyethylene fabric
- 82” for 84” door opening, 76” for 78” door opening    ■ Not field sizeable
- Mounts on push side of door    ■ Suitable for doors swinging up to 180 degrees
- Fire rated up to 3 hours metal doors, 1 hour wood doors



**UL10B & CAN4-S104-80M CLASSIFIED**, complies with NFPA 80 and NFPA 252 for application to Steel fire doors rated up to 3 Hrs., and Wood type fire doors rated up to 90 minutes. (Rating on some items vary and are noted.)



**POSITIVE PRESSURE UL10C CLASSIFIED**, Category 'J'; complies with IBC, NFPA 80 and NFPA 252 for application to Positive Pressure Steel fire doors rated up to 3 Hrs., and Wood type fire doors rated up to 90 minutes. (Ratings on some items vary and are noted.)

<b>Part Number:</b>	<b>Part Description:</b>		
<b>Customer Name:</b>	<b>Job Number/Name:</b>	<b>Date:</b>	<b>Provided By:</b>
<b>Notes:</b>			