

EXPOSED BARN DOOR SYSTEM STRAP MOUNT HANGER

CRT-52-38-SS STRAP Mount Hanger

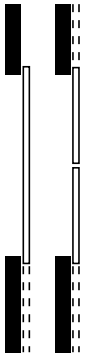


Key Product Features:

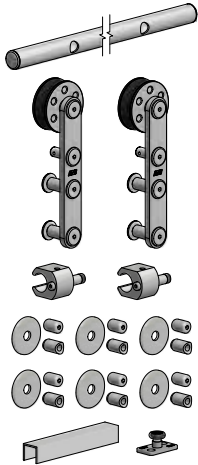
- 2 3/4 in [69.9 mm] diameter, Delrin Wheels with Precision Ground Ball Bearings
- Proudly North American made
- Material: 303 Stainless Steel polished to a Satin finish
- **CRT-52-38-SS Hanger Load Capacity 175 lbs. (two Hangers)**



**1 3/8 in
[34.9 mm]**



HOW TO SPECIFY/ORDER CRT-52-38-SS FOR ONE DOOR OPENING



KIT CODE:

CRT-52-38-SS X [track length] 1DR KIT

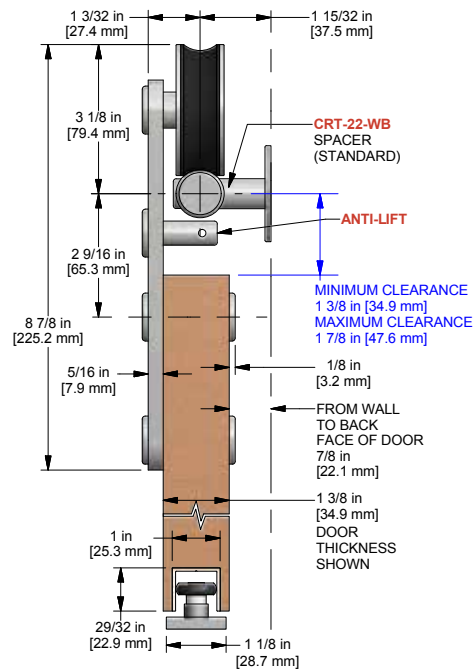
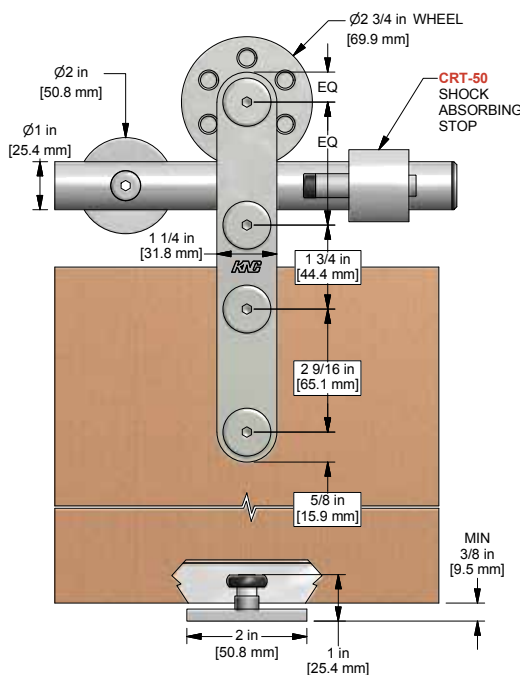
Above kit includes:

- 1 - CRT-50-SS Track X [track length] (typically two x door width, example: 36 in wide door requires a 72 in long track)
- [] - CRT-22-WB-SS Wall Mount Bracket Sets (quantity is based on track length)
- 2 - CRT-52-38-SS Strap Mount Hangers (For 1 3/8 in [34.9 mm] thick doors only)
- 2 - CRT-50-SS Shock Absorbing Stops
- 1 - C-914 Guide Channel x [door width] (example: 36 in wide door requires a 36 in long guide channel)
- 1 - C-913 Floor Guide

(2 Door Kits are also available)

(For baseboard applications, please visit our website or contact customer service for more information)

CRT-52-38-SS KIT DETAILS (CRT-52-38-SS HANGER FOR 1 3/8 in [34.9 mm] THICK DOORS, C-914/C-913 GUIDE SYSTEM)



A PRODUCT OF K.N. CROWDER MFG. INC.

TOLL-FREE PHONE: 1-866-999-1KNC (1562) • WEBSITE: www.kncrowder.com • EMAIL: customerservice@kncrowder.com

© 2016 K.N. CROWDER MFG. INC. All Rights Reserved.