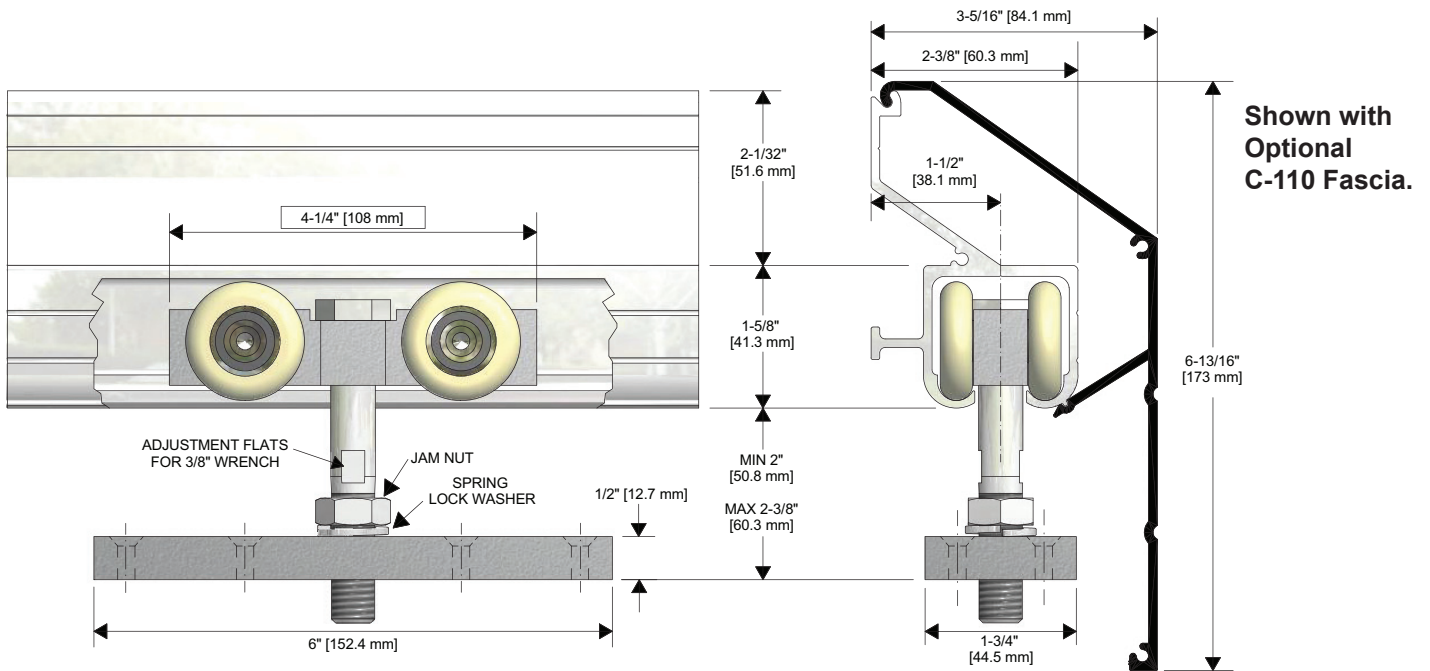


C-818HD-108



KEY FEATURES:

- Heavy-duty top mount hanger (**C-818HD**) for Single, or Bi-parting Wall Mounted doors.
- Four Precision Ground Ball Bearing, Nylon Tire Wheels.
- Complete with 7/16" [11.1mm] diameter bolt with 3/8" [9.5mm] adjustment range.
- Use with Extruded Aluminum **C-108** Side Mount Track, 6063T5 Alloy
- Optional Extruded Aluminum **C-110** Snap-on Fascia used to cover hardware (Kit No. **C-818HD-110**)
- Load Capacity **450lbs. (two hangers)**



Part Number:	Part Description:		
Customer Name:	Job Number/Name:	Date:	Provided By:
Notes:			