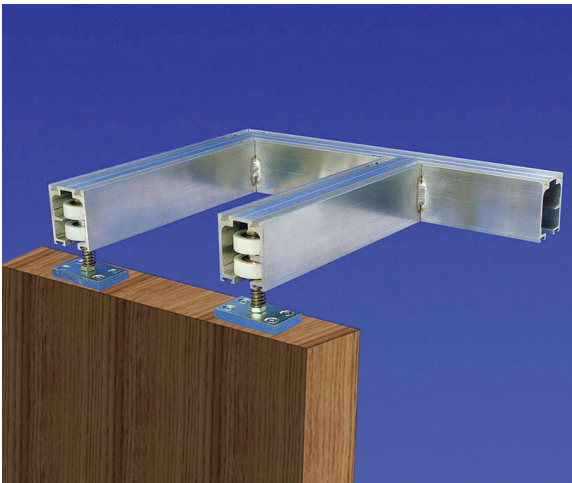
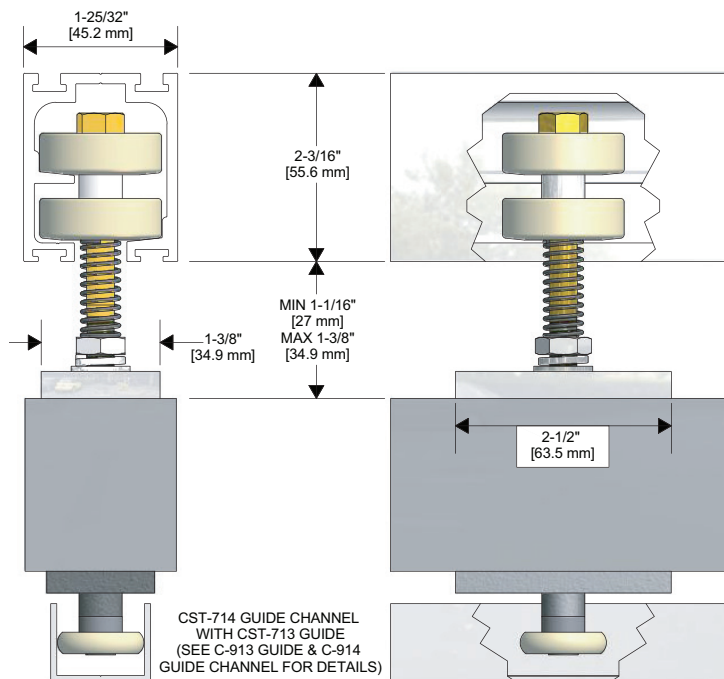


CST-700



KEY FEATURES:

- Room Divider Hardware
- Top mount hanger (**CST-710**)
- For light and medium duty folding partitions and stacking door systems.
- Multiple configurations available
- Nylon Wheels with Axial Precision Ground Ball Bearings (150,000 cycle tested)
- For use with **CST-700** Track only
- Bottom Guide System: **CST-714 & CST-713**
- Load Capacity **100lbs. (one hangers)**
- Load Capacity **200lbs. (two hangers)**



Part Number:	Part Description:		
Customer Name:	Job Number/Name:	Date:	Provided By:
Notes:			