

MEDIUM TO HEAVY-DUTY SIDE MOUNT SYSTEMS FOR FRAMELESS GLASS DOORS

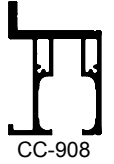


CCGH Glass Hanger With CC-908 Side Mount Track

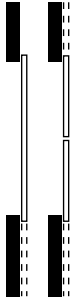
For Single or Bi-Parting Wall Mounted Doors.

Using the popular design from the standard CGH Glass Hangers, our well-known precision ball bearing nylon tire wheels, and adding Catch'N'Close technology, results in the ultimate sliding glass door system! The CCGH hangers are mated for 3/8" [10 mm] or 1/2" [12 mm] glass. Hardware is concealed by our unique snap-on covers which can be supplied in different finishes. The snap-on covers allow for minimum clearance between the bottom of the track to the top of the hanger to be 1/8" [3.2 mm]. Using the new CC-908 Track combined with the CC-980 Fascia can result in significant savings by eliminating the need for constructing a bulkhead to hide the track & hardware.

- **CCGH-038** Hanger for 3/8" [10 mm] thick glass
- **CCGH-012** Hanger for 1/2" [12 mm] thick glass
- Load Capacity up to **300 lbs. (two Hangers)**
- Use with Extruded Aluminum **CC-908 Track**, 6061T6 Alloy
- Use with **CC-2 Catch'N'Close** closing device for up to **200lbs. doors**
- Use with **CC-3 Catch'N'Close** closing device for up to **300lbs. doors**



CC-908



TYPICAL LIST OF PRODUCTS REQUIRED FOR A STANDARD GLASS DOOR USING THE CATCH'N'CLOSE TECHNOLOGY:

-
- 1 - **CC-908** Side Mount Track X Length (2 x Door Width)
(Example: 36" [914mm] Door = 72" [1829mm] Track)
 - 2 - **CCGH-038** or **012** Glass Catch'N'Close Hangers
(Complete with bolts, covers and end caps.
Note: Specify glass thickness 3/8" [10 mm] or 1/2" [12 mm] when ordering.)
 - 2 - **CC-101HD** Catch'N'Close In-track Stops
(Complete with set screws for friction fit)
 - 2 - **CC-2** or **CC-3** Catch'N'Close closing device
(Complete with screws. See above for weight capacity)
 - 1 - **CCGS-038** or **012** Stationary Glass Door Guide
(Complete with screws)

OPTIONAL PRODUCTS

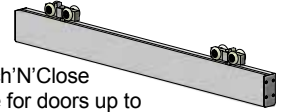


CC-980 Snap-On Fascia

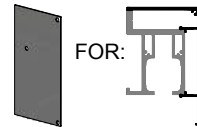
CCGH-038 or 012C

Continuous Glass Catch'N'Close Hangers are available for doors up to 96" [2438 mm] wide and up to 300lbs each.

For other Glass Door Guides and Continuous Guide systems, please see the standard Glass Hangers & Guide Systems product line on the website.

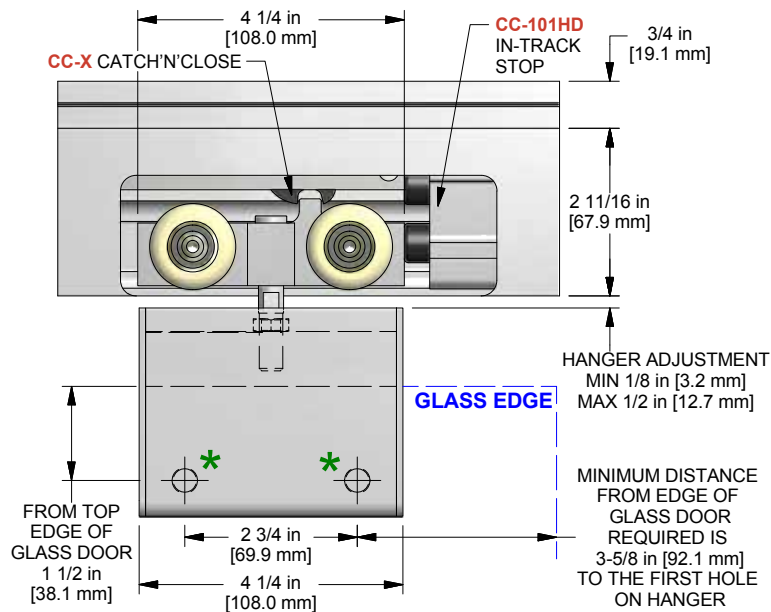


FOR:
CC-981 End Cap only
(For use with CC-908 Track only)

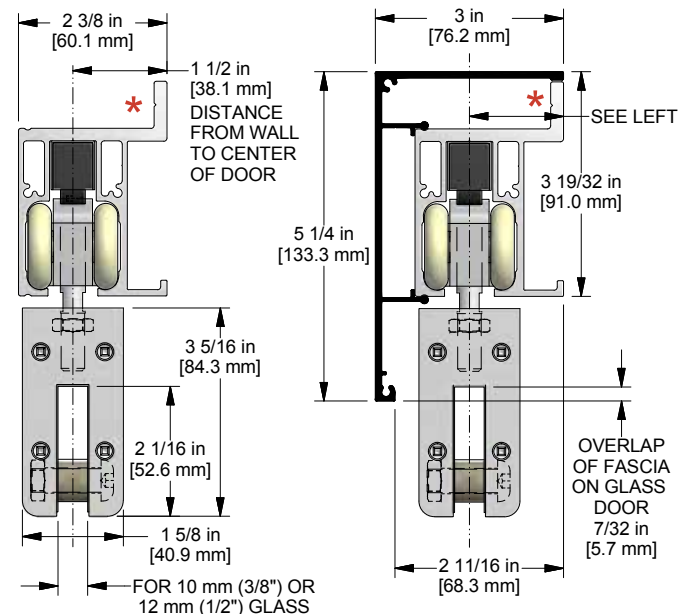


FOR:
CC-982 End Cap only
(For use with CC-908 Track & CC-980 Fascia combination only)

CCGH HANGER WITH CC-904 TRACK DETAIL



*Hole size in glass required: Ø11/16" [17.5 mm]



*Indicates mounting flange on CC-908 Track
[Optional **CC-980** Snap-On Fascia illustrated as solid **black** profile]

A PRODUCT OF K.N. CROWDER MFG. INC.

TOLL-FREE PHONE: 1-866-999-1KNC (1562) • TOLL-FREE FAX: 1-800-567-0123 • WEBSITE: www.kncrowder.com • EMAIL: customerservice@kncrowder.com

© 2014 K.N. CROWDER MFG. INC. All Rights Reserved.