

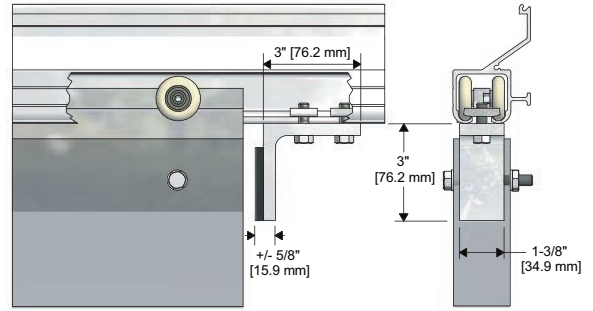
# CANTILEVER A DOOR

**new**

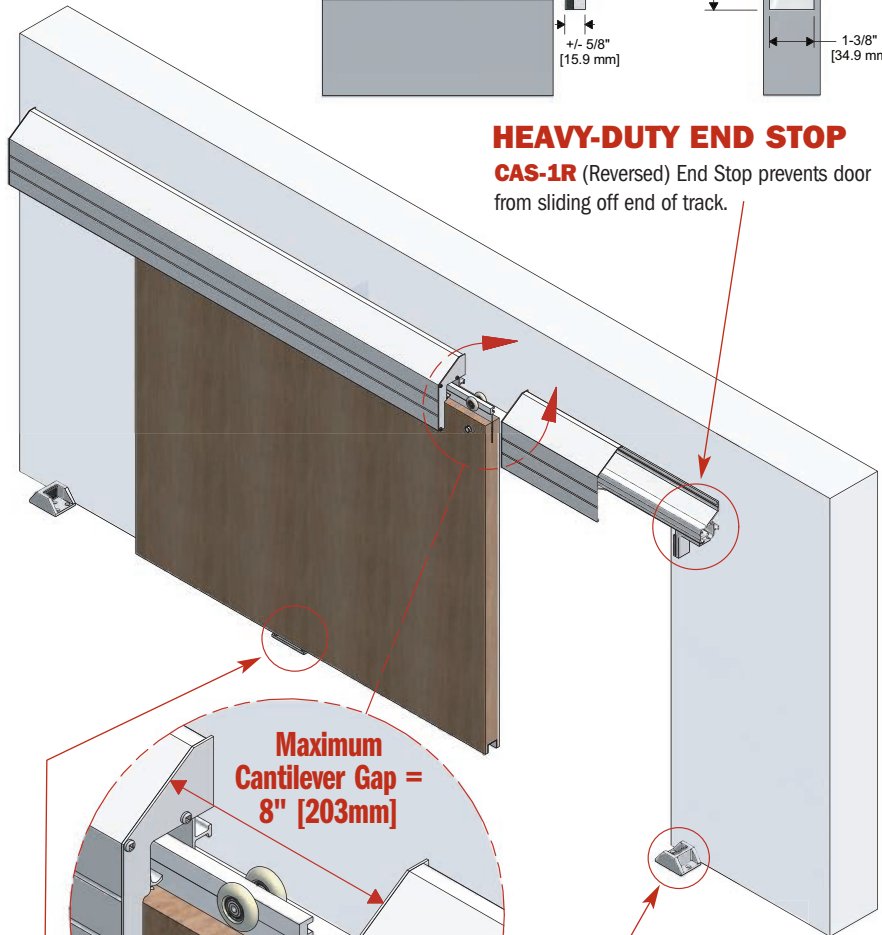
**KNC** Our Cantilever System allows for a sliding door to be installed over an opening with a gap in the track system for specific needs such as a patient lift tracking system traveling from one room to the next. The Maximum cantilever gap is 8" [203mm].

**THIS PAGE SHOWS A COMPLETE SIDE-MOUNT CANTILEVER SLIDING DOOR SYSTEM.** With 2 pieces of our **C-108** Track mounted to the wall, the door can be hung using our **C-105-C** or **C-107-C** continuous hanger (same width as door). See page 44 for **C-105-4** with **C-108** or page 42 for **C-107-4** with **C-108** for more details. Our Heavy-Duty **C-914** Guide Channel in conjunction with our **C-913-2** Dual Roller Floor Guide provides stability to the bottom of the door, while the **CAS-1R** Stop provides safe, problem free door positioning. The **C-102HD** Floor Stop provides additional stoppage for the bottom of the doors and prevents door from "kicking".

Finally, our **C-110** Fascia snaps into position covering the track, hangers, and stops, cutting down on time and expensive labour required on-site to fabricate a fascia or bulk head. Our stock **C-110** End Caps are used on the two outside ends of the fascia, and notched **C-110** End Caps are used on the inside of the cantilever gap to cover the track while allowing the hanger to travel through. The **C-110** is available in Clear Anodized aluminum or painted primer finish from stock. Baked on Enamel finishes are also available to meet job specific requirements.



**HEAVY-DUTY END STOP CAS-1R** (Reversed) End Stop prevents door from sliding off end of track.



**Maximum Cantilever Gap = 8" [203mm]**

**HEAVY-DUTY FLOOR STOP**

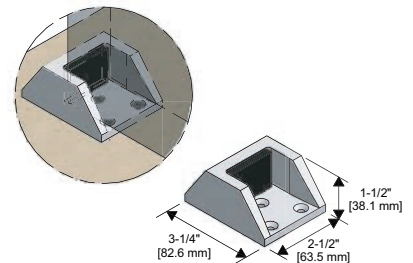
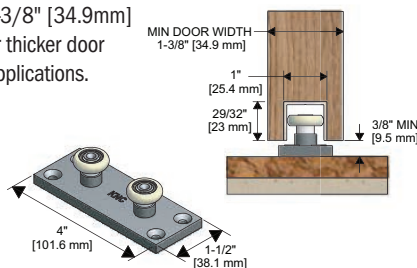
**C-102HD** Floor Door Stop for 1-3/4" [44.5mm] doors only, is used to stop and stabilize the bottom of the door.

**GUIDE SYSTEM**

Recessed **C-914** Heavy-Duty Guide Channel and **C-913-2** Heavy-Duty Roller Guide are floor mounted in an overlap position to eliminate trip hazards on the floor.

**NEW:** Suitable for 1-3/8" [34.9mm] or thicker door applications.

**new & IMPROVED!**



Custom Systems