

# SINGLE TRACK SYSTEMS

HEAVY-DUTY

## C-205-4 OR C-205-8 HANGER

### C-204 TRACK

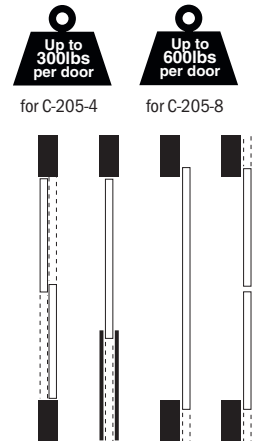
For Single & Bi-Parting, By-Passing, Pocket or Wall Mounted Doors

Four Precision Ball Bearing, Steel wheels. Continuous Hanger for full door widths also available. Kerf door 2" [50.8mm] deep to receive hanger plate allowing minimum head clearance.

- Use with Extruded Aluminum **C-204 Track**, 6061T6 Alloy

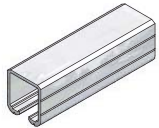
**C-205-4 Hanger** Four-wheel version  
• Load Capacity **300 lbs. (two hangers)**

**C-205-8 Hanger** Eight-wheel version  
• Load Capacity **600 lbs. (two hangers)**



### C-205-4 OR C-205-8 COMPLETE KIT FOR 1 DOOR

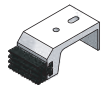
COMPLETE KITS AVAILABLE FOR 24" [610MM] TO 72" [1829MM] WIDE DOORS. FOR BY-PASSING DOOR APPLICATIONS USE TWO COMPLETE KITS.



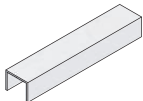
- 1 - C-204 TRACK  
LENGTH: 2 X DOOR WIDTH (EXAMPLE: 36" [914MM] DOOR = 72" [1829MM] TRACK)



- 2 - C-205-4 OR C-205-8 HANGERS COMPLETE WITH BOLT(S), WASHER(S), & NUT(S)



- 2 - C-100HD IN-TRACK STOP COMPLETE WITH SCREWS



- 1 - C-914 GUIDE CHANNEL  
LENGTH: EQUAL TO DOOR WIDTH (EXAMPLE: 36" [914MM] DOOR = 36" [914MM] GUIDE CHANNEL)



- 1 - C-913 FLOOR GUIDE COMPLETE WITH SCREWS

### OPTIONAL PRODUCTS



C-205 Side-Mount Bracket/C-203 Side Mount Joiner.  
(See page 68 for more details).



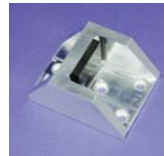
C-90 Door Locks & Pulls Series. (See pages 72-75 for more details).



C-80 Door Locks & Pulls Series. (See pages 72-75 for more details).



CAS-1 or CAS-2 Stops.  
(See page 69 for more details).

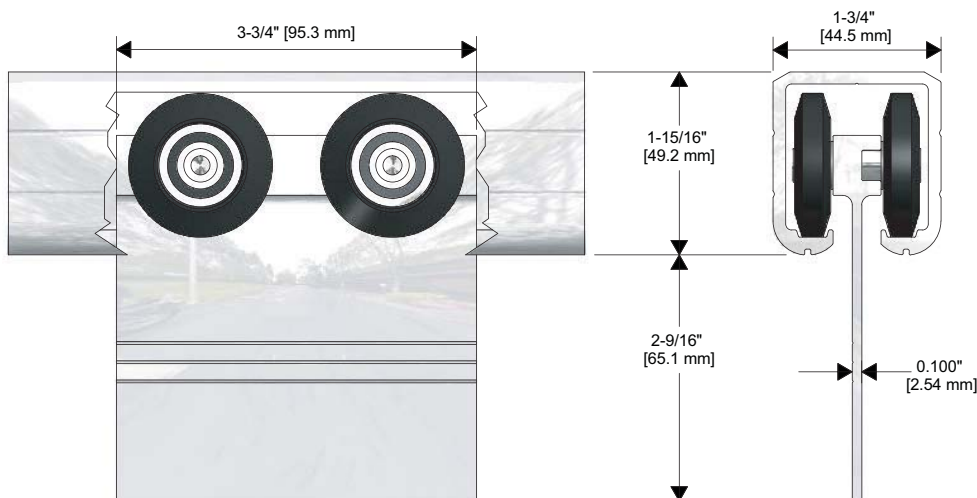


C-102HD Floor Stop. (See page 69 for more details).



Optional Fascias.  
(See page 67 for more details).

### C-205-4 HANGER WITH C-204 TRACK DETAIL



**CONTINUOUS HANGER**  
Available for any door width