

# SINGLE TRACK SYSTEMS

MEDIUM TO HEAVY-DUTY

## C-107-4 OR C-107-8 HANGER

### C-104 TRACK

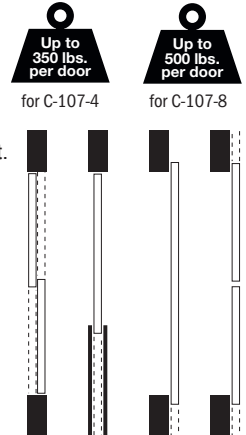
For Single & Bi-Parting, By-Passing, Pocket or Wall Mounted Doors

Four precision ball bearing, nylon tire wheels per hanger. Clamp type face mounting – adjustable for thickness of door (1-3/4" [44.5mm] – 2-1/4" [57.2mm]) by means of shim spacers on main bolt.

- Continuous Hanger for full door widths also available.
- Use with Extruded Aluminum **C-104 Track**, 6063T5 Alloy

**C-107-4 Hanger** Four-wheel version  
• Load Capacity **350 lbs. (two hangers)**

**C-107-8 Hanger** Eight-wheel version  
• Load Capacity **500 lbs. (two hangers)**



### C-107-4 OR C107-8 COMPLETE KIT FOR 1 DOOR

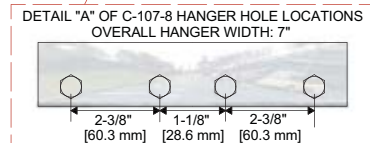
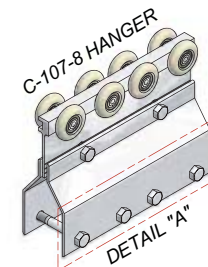
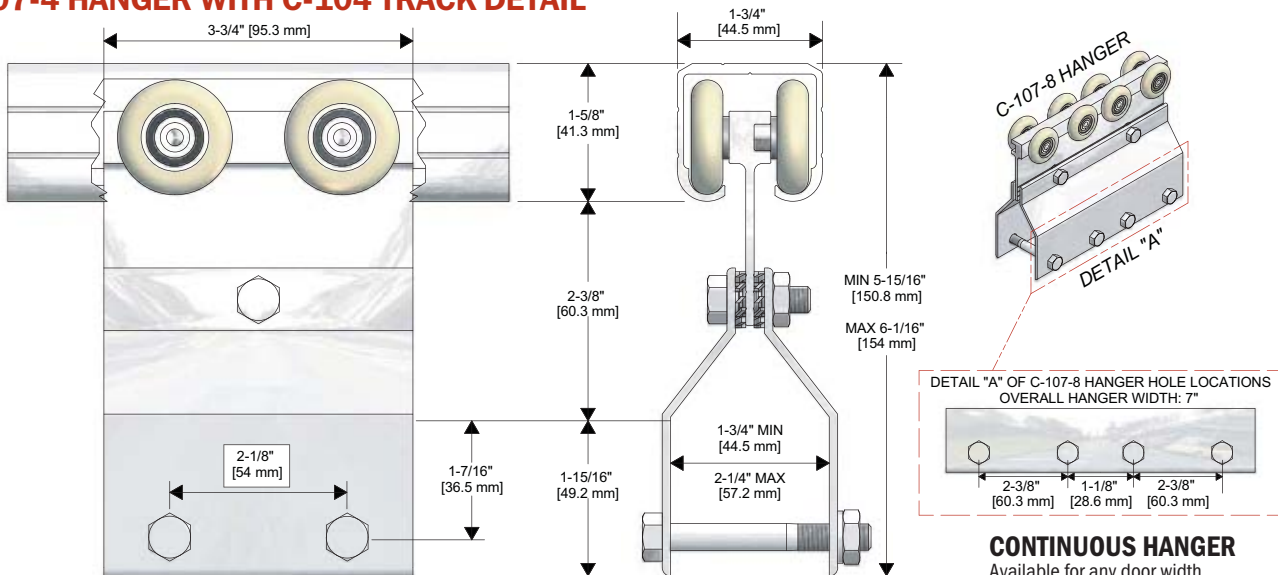
COMPLETE KITS AVAILABLE FOR 24" [610MM] TO 72" [1829MM] WIDE DOORS. FOR BY-PASSING DOOR APPLICATIONS USE TWO COMPLETE KITS.

- 1 - C-104 TRACK  
LENGTH: 2 X DOOR WIDTH (EXAMPLE: 36" [914MM] DOOR = 72" [1829MM] TRACK)
- 2 - C-107-4 OR C-107-8 HANGERS  
COMPLETE WITH BOLTS, WASHERS & NUTS
- 2 - C-100HD IN-TRACK STOP COMPLETE WITH SCREWS
- 1 - C-914 GUIDE CHANNEL  
LENGTH: EQUAL TO DOOR WIDTH (EXAMPLE: 36" [914MM] DOOR = 36" [914MM] GUIDE CHANNEL)
- 1 - C-913 FLOOR GUIDE COMPLETE WITH SCREWS

### OPTIONAL PRODUCTS

- C-402 Side-Mount Bracket/C-403 Side-Mount Joiner or C-406/C-407 Top Mount Bracket. (See page 68 for more details).
- C-90 Door Locks & Pulls Series. (See pages 72-75 for more details).
- C-80 Door Locks & Pulls Series. (See pages 72-75 for more details).
- C-102HD Floor Stop. (See page 69 for more details).
- CAS-1 or CAS-2 Stops. (See page 69 for more details).
- Optional Fascias. (See page 67 for more details).

### C-107-4 HANGER WITH C-104 TRACK DETAIL



**CONTINUOUS HANGER**  
Available for any door width