

SINGLE TRACK SYSTEMS

MEDIUM TO HEAVY-DUTY

C-105-4 OR C-105-8 HANGER

C-104 TRACK

For Single & Bi-Parting, By-Passing, Pocket or Wall Mounted Doors

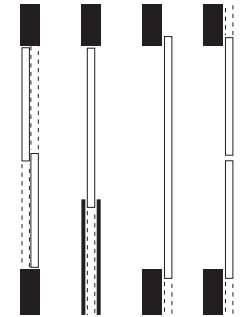
Four precision ball bearing, nylon tire wheels per hanger. Kerf door 2" [50.8mm] deep to receive hanger plate allowing minimum head clearance.

- Continuous Hanger for full door widths also available.
- Extruded Aluminum **C-104 Track**, 6063T5 Alloy

- C-105-4 Hanger** Four-wheel version
- Load Capacity **200 lbs. (two hangers)**
- C-105-8 Hanger** Eight-wheel version
- Load Capacity **400 lbs. (two hangers)**

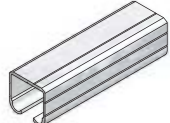
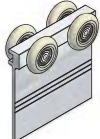
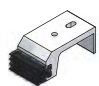
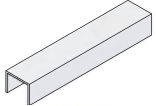
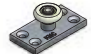
Up to 200 lbs. per door
for C-105-4

Up to 400 lbs. per door
for C-105-8

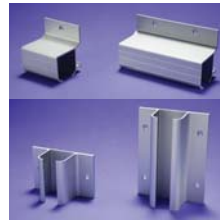


C-105-4 OR C105-8 COMPLETE KIT FOR 1 DOOR

COMPLETE KITS AVAILABLE FOR 24" [610MM] TO 72" [1829MM] WIDE DOORS. FOR BY-PASSING DOOR APPLICATIONS USE TWO COMPLETE KITS.

-  1 - C-104 TRACK
LENGTH: 2 X DOOR WIDTH (EXAMPLE: 36" [914MM] DOOR = 72" [1829MM] TRACK)
-  2 - C-105-4 OR C-105-8 HANGERS
COMPLETE WITH BOLT(S), WASHER(S) & NUT(S)
-  2 - C-100HD IN-TRACK STOP COMPLETE WITH SCREWS
-  1 - C-914 GUIDE CHANNEL
LENGTH: EQUAL TO DOOR WIDTH (EXAMPLE: 36" [914MM] DOOR = 36" [914MM] GUIDE CHANNEL)
-  1 - C-913 FLOOR GUIDE COMPLETE WITH SCREWS

OPTIONAL PRODUCTS



C-402 Side-Mount Bracket/
C-403 Side-Mount Joiner or
C-406/C-407 Top Mount Bracket.
(See page 68 for more details).



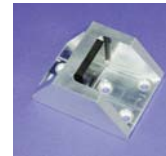
C-90 Door Locks & Pulls
Series. (See pages
72-75 for more details).



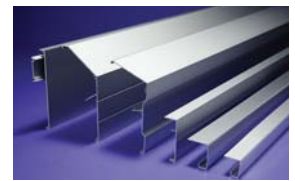
C-80 Door Locks & Pulls
Series. (See pages
72-75 for more details).



CAS-1 or CAS-2 Stops.
(See page 69 for more details).

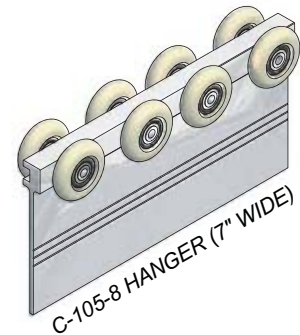
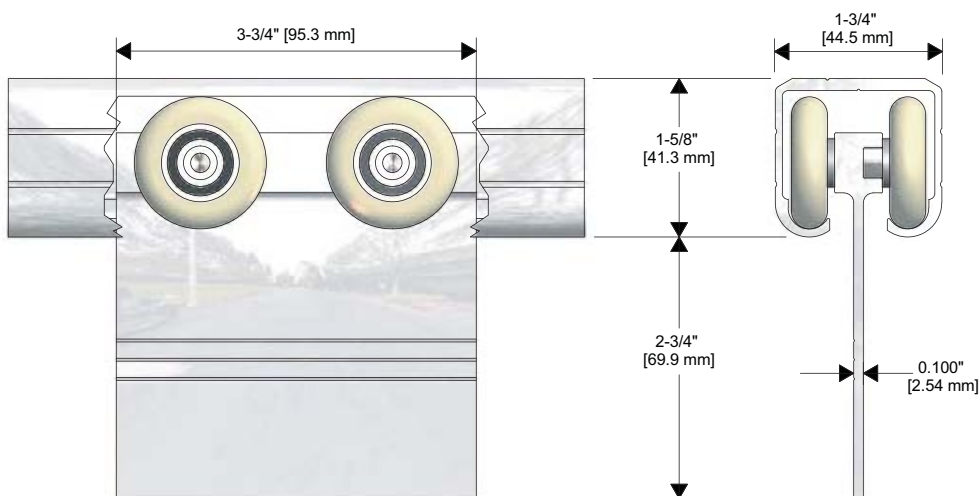


C-102HD Floor
Stop. (See page 69
for more details).



Optional Fascias.
(See page 67 for more details).

C-105-4 HANGER WITH C-104 TRACK DETAIL



CONTINUOUS HANGER
Available for any door width