

# SINGLE TRACK SYSTEMS

MEDIUM TO HEAVY-DUTY (BARN STYLE)

## C-911 HANGER C-108 SIDE-MOUNT TRACK

**Quick Release "Spinwheel" Hanger  
For Single or Bi-Parting Wall Mounted Doors.**

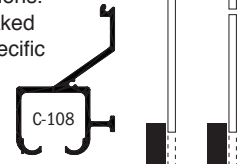
*This Series was conceived by KNCrowder for a nursing home application.*

The Quick Release Hanger with four Precision ball bearing, nylon tire wheels, allows for fast and easy door removal from the outside (eg: when a patient in distress in a washroom requires immediate assistance). Levelling and height adjustment can be accomplished by one person during door installation without the use of tools.

**C-108 Side-Mount Track**, all-in-one track that eliminates the need for additional hardware or millwork for wall mount sliding door conditions.

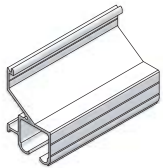
- Available in Mill Finish, Clear or Bronze Anodized. Baked on Enamel Finishes are also available to meet job specific requirements.
- Use with Extruded Aluminum **C-108 Track**, 6063T5 Alloy
- Load Capacity **200 lbs. (two hangers)**

Up to  
200lbs.  
per door

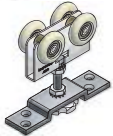


### C-911-108 COMPLETE KIT FOR 1 DOOR

COMPLETE KITS AVAILABLE FOR 24" [610MM] TO 72" [1829MM] WIDE DOORS.



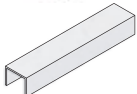
- 1 - C-108 TRACK  
LENGTH: 2 X DOOR WIDTH  
(EXAMPLE: 36" [914MM] DOOR = 72" [1829MM] TRACK)



- 2 - C-911 HANGERS COMPLETE WITH SCREWS



- 2 - CDC-911 IN-TRACK DOOR STOP & CATCH COMPLETE WITH SCREWS



- 1 - C-914 GUIDE CHANNEL  
LENGTH: EQUAL TO DOOR WIDTH  
(EXAMPLE: 36" [914MM] DOOR = 36" [914MM] GUIDE CHANNEL)



- 1 - C-913 FLOOR GUIDE COMPLETE WITH SCREWS

### OPTIONAL PRODUCTS



C-110 Fascia & C-110 End Cap. (See page 67 for more details).



C-90 Door Locks & Pulls Series. (See pages 72-75 for more details).



C-80 Door Locks & Pulls Series. (See pages 72-75 for more details).



CAS-1 or CAS-2 Stops. (See page 69 for more details).

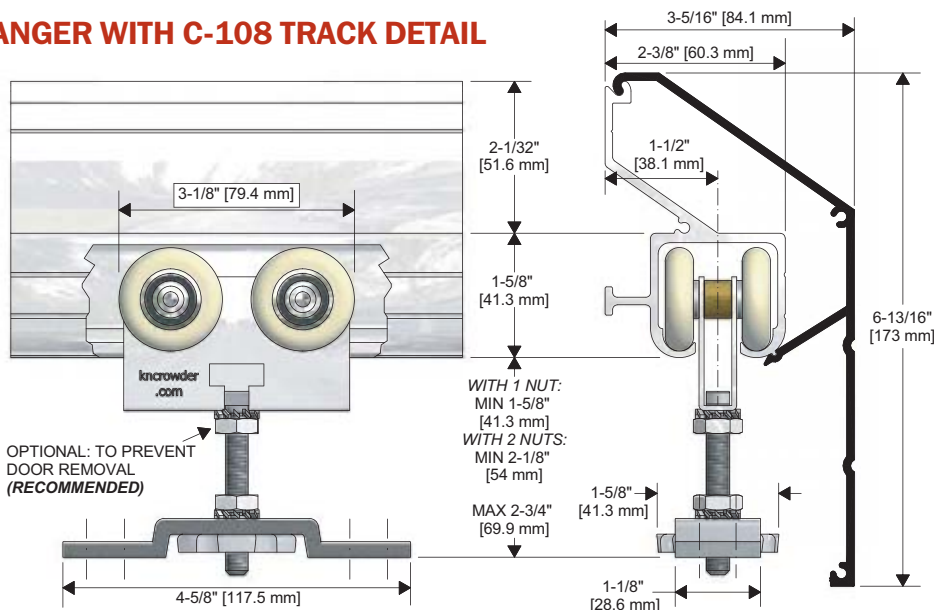


C-102HD Floor Stop. (See page 69 for more details).



CSM-913-108 or CSM-913-2HD Side-Mount Guides with C-914 Guide Channel. (See page 70 for more details).

### C-911 HANGER WITH C-108 TRACK DETAIL



SHOWN WITH C-110 FASCIA, OPTIONAL

