

BI-FOLD & PIVOTING SYSTEMS

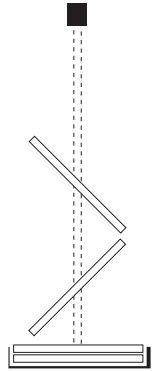
HEAVY-DUTY (CENTER PIVOT)

C-180HD HANGER C-975 TRACK

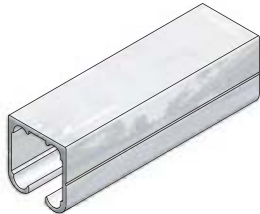
Folding door pivoting hanger for use with **C-975 Track**. Two wheel dual-thrust bearing hanger for heavy-duty folding door conditions or room partition systems requiring smooth dependable operation. Folding room dividers can be created, utilizing parallel back-to-back storage, against a wall or within hide away enclosures. Top plate can be surface mounted or recessed, as required.

- Use with Extruded Aluminum **C-975 Track**, 6061T6 Alloy
- Load capacity **250 lbs. per panel/leaf**

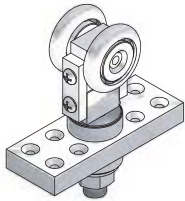
Up to
250 lbs.
per panel



PRODUCTS REQUIRED:

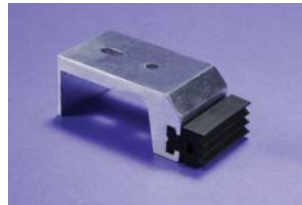


1 - C-975 TRACK X REQUIRED LENGTH (OPENING WIDTH, PLUS POCKET IF NECESSARY)



1 - C-180HD HANGER COMPLETE WITH EIGHT SCREWS PER DOOR

OPTIONAL PRODUCTS



C-100HD Stop.
(See page 69 for more details).

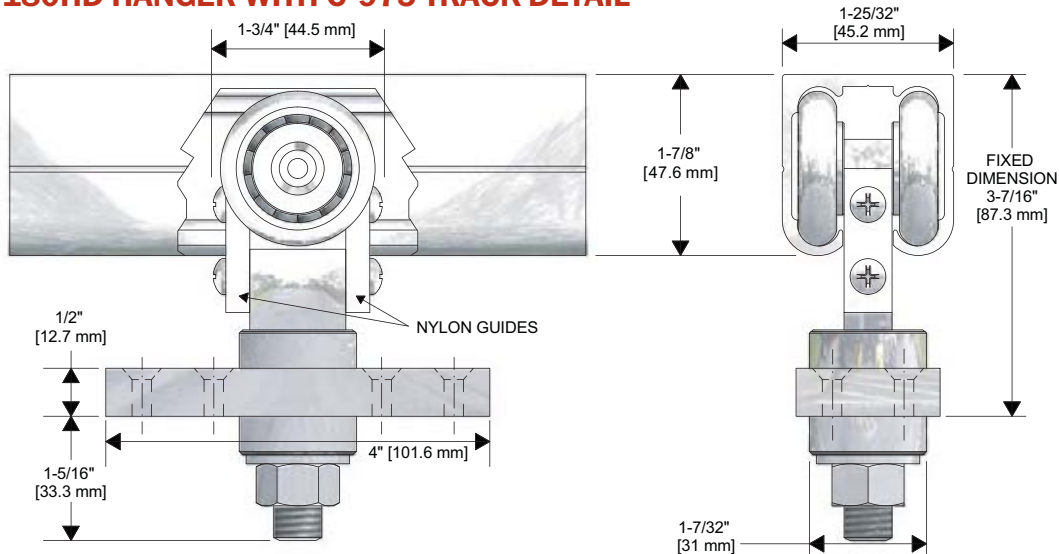


C-913 Guide & C-914 Guide channel.
(See page 70 for more details).

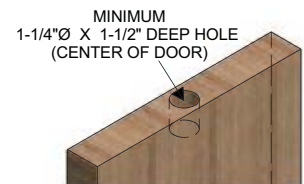


C-913SL Spring Loaded Guide.
(See page 70 for more details).

C-180HD HANGER WITH C-975 TRACK DETAIL



NOTE: NO HEIGHT ADJUSTMENT



CAUTION:
IN OPERATION DOORS
MUST BE MOVED
INDIVIDUALLY