

BI-FOLD & PIVOTING SYSTEMS

TRACKLESS PIVOTS

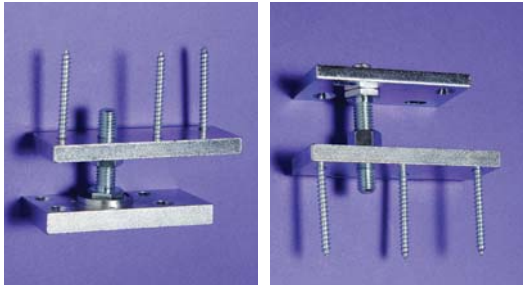
new

C-409 HEAVY-DUTY TRACKLESS PIVOT

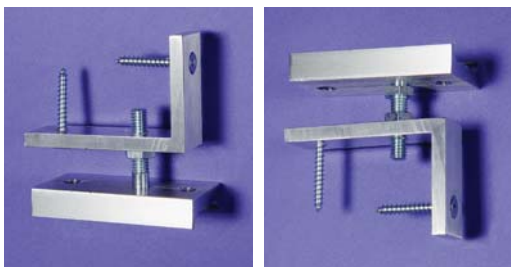
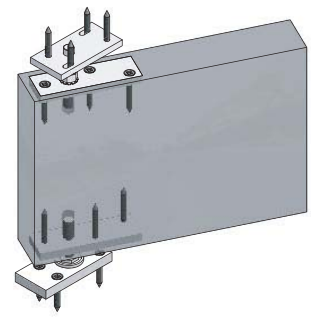
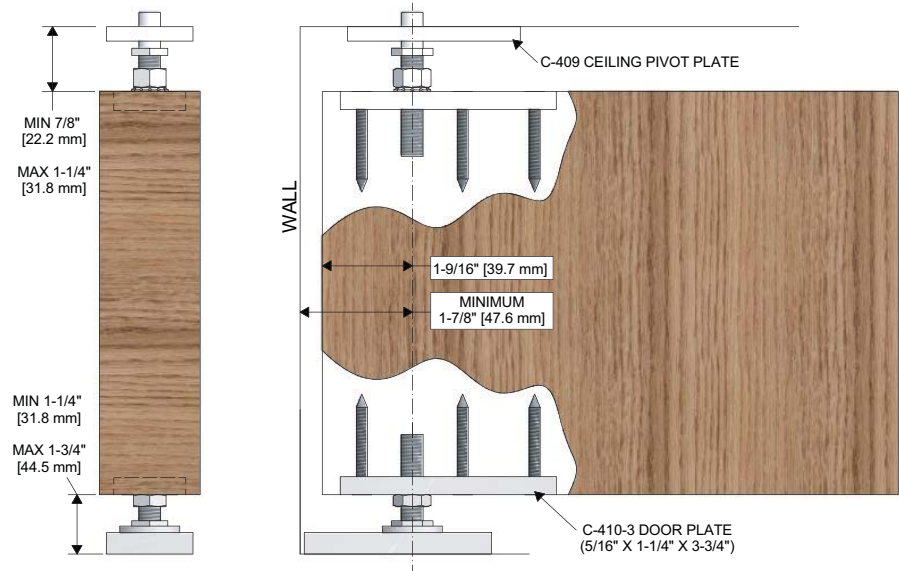
The **C-409** Heavy-Duty Trackless Pivot Kit features all-steel zinc plated mounting plates along with thrust bearing on the bottom pivot plate which allows for door capacity up to 200lbs.

C-409 kit includes: 2 - **C-410-3** Door plates (can be recessed or mounted on door), 1 - **C-410-4** Bottom Pivot Plate with Thrust Bearing, 1 - **C-409-1** Ceiling plate, and necessary screws, studs, and nuts.

Up to
200 lbs.
per door



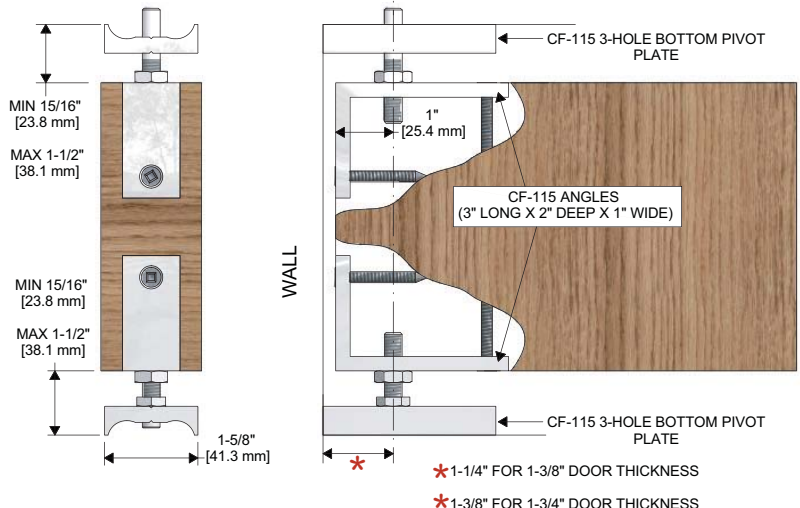
- C-409-1 TOP PIVOT PLATE (1)
- C-410-4 TOP PIVOT STUD (1)
- C-410-3 DOOR PLATE (2)
- C-410-3 BOTTOM PIVOT STUD (1)
- C-410-4 BOTTOM PIVOT PLATE WITH THRUST BEARING (1)
- C-410-5 LOCK NUT (1)
- 3/8" HEX NUT (1)



CF-116 MEDIUM TO LIGHT DUTY TRACKLESS PIVOT

The **CF-116** Medium to Light Duty Trackless Pivot Kit features Angle Brackets to be router and recessed in the door. This kit has a door capacity up to 50lbs. **CF-116** Kit includes: 2 - **CF-115** Angle Brackets, 2 - **CF-115** 3-Hole Bottom Pivot Plate (one for top), and necessary screws, studs, and nuts.

Up to
50 lbs.
per door



- CF-115 ANGLE BRACKETS (2)
- CF-115 TOP PIVOT STUD (1)
- CF-115 BOTTOM PIVOT STUD (1)
- CF-115 3-HOLE BOTTOM PIVOT PLATE (2)
- 5/16" HEX NUT (2)

