

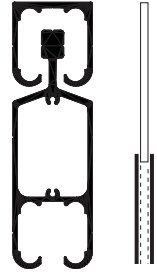
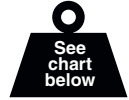
CROWDER DISPLAY SYSTEMS

HEAVY-DUTY SPECIAL

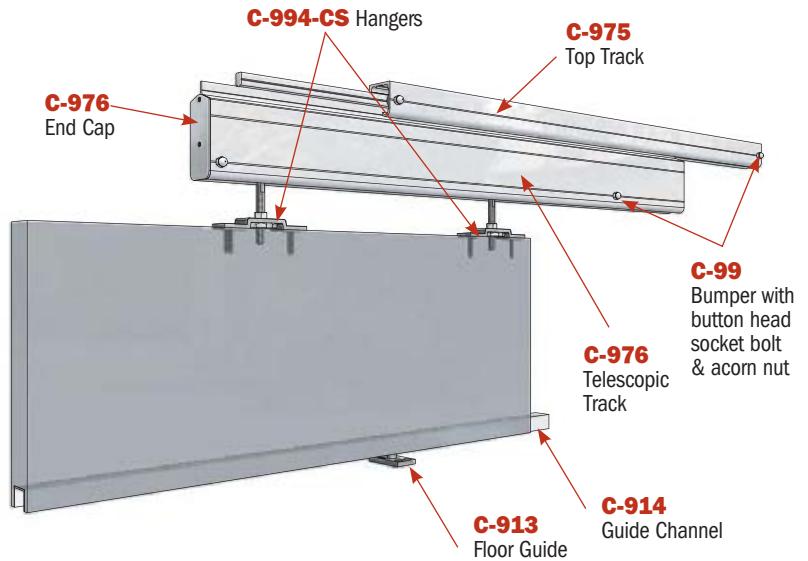
CROWDSLIDE TELESCOPING DOOR SYSTEM

The **CROWDSLIDE** system is a heavy-duty telescoping track system allowing individual panels to slide in and out, to view the elements on display.

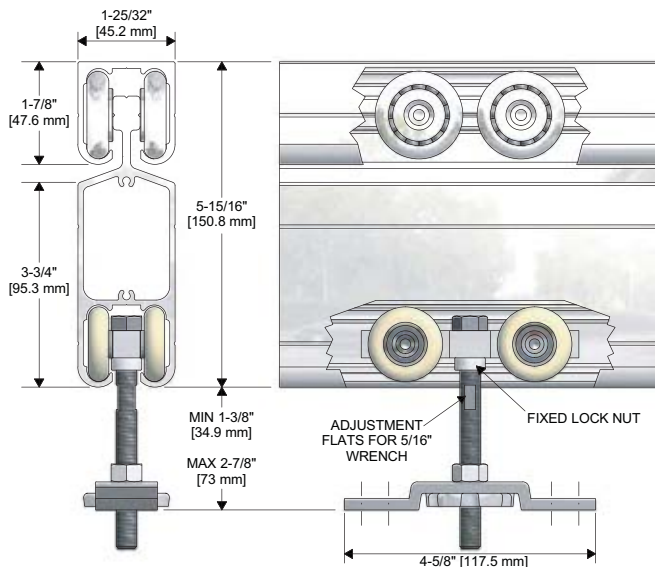
- **For retail display**, the system may display doors and door frames, slatwall, or building materials, maximizing use of expensive floor space.
- **Mounted in a sturdy frame** (by others), panels can be organized to minimize the space between them.
- **Manufactured to suit custom application requirements.** The installation shown at left, produced 1600 sq. ft. [148.6 sq. m.] of display within 160 sq. ft. [14.9 sq. m.] of floor space.



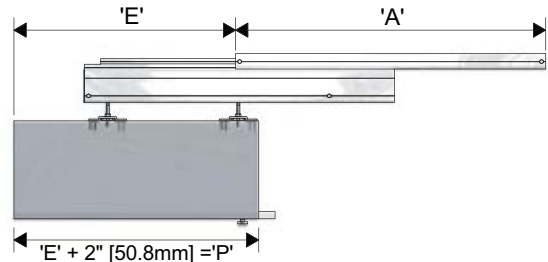
CROWDSLIDE COMPLETE



CROWDSLIDE DETAIL



CROWDSLIDE TELESCOPIC TYPICAL LAYOUT



PANEL WIDTH ('P')	EXTENSION LENGTH ('E')	OVERALL LENGTH ('A')	LOAD RATING*
36" [914mm]	34" [864mm]	44" [1118mm]	160 LBS
48" [1219mm]	46" [1168mm]	56" [1422mm]	150 LBS
60" [1524mm]	58" [1473mm]	70" [1778mm]	130 LBS
72" [1829mm]	70" [1778mm]	82" [2083mm]	90 LBS

*DOORS EXCEEDING THE WEIGHT SPECIFIED MUST BE INSTALLED WITH A FRONT END CASTER. CUSTOMER IS RESPONSIBLE FOR STRUCTURAL SUPPORT AND COUNTERBALANCE.
NOTE: EXTENSION LENGTH WILL ALWAYS BE 2" [50.8mm] LESS THAN PANEL WIDTH.