

CROWDER DISPLAY new

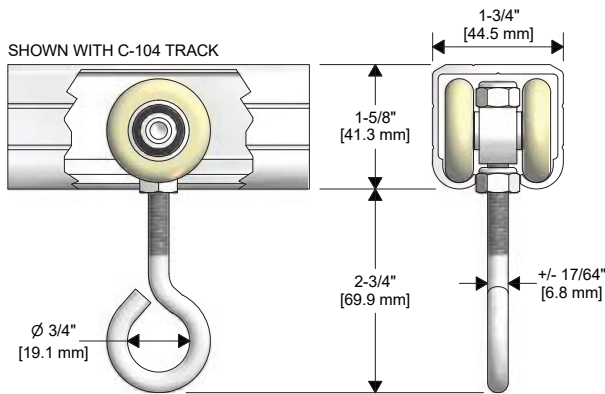
CUSTOM CROWDER DISPLAY HANGERS

C-182 HD CURTAIN HANGER

KNC's **C-182 HD** Curtain Hanger is ideal for applications using heavy curtains that our **CR-101** series cannot carry. Example applications are: for work areas with heavy curtains, sliding tools and stacking displays. Reduces stacking area in small spaces because of its two-wheel system. For use with our **C-104** or **C-108** Track. **C-104** can be curved with a 24" [610mm] minimum radius.

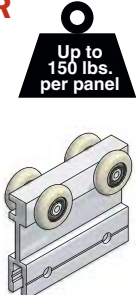


Up to 75 lbs. per carrier

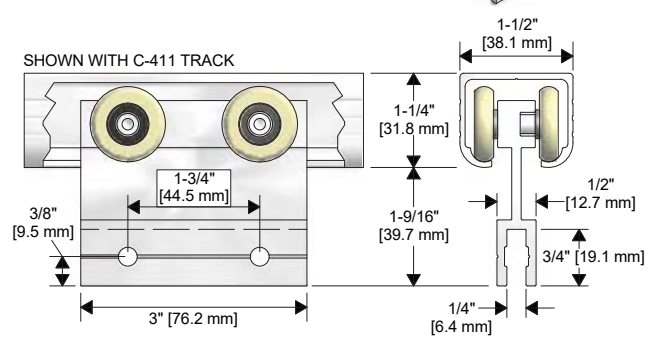


CPH-1 PANEL DISPLAY HANGER

Crowder Panel Hanger (CPH) is ideal for showroom product display panels. Required panel thickness is 1/4" [6.4mm]. For use with our **C-411** or **C-412** Track only. Continuous CPH Hangers can also be fabricated for full door widths. Please contact customer service for more information.

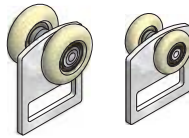


Up to 150 lbs. per panel



CARPET DISPLAY HANGERS

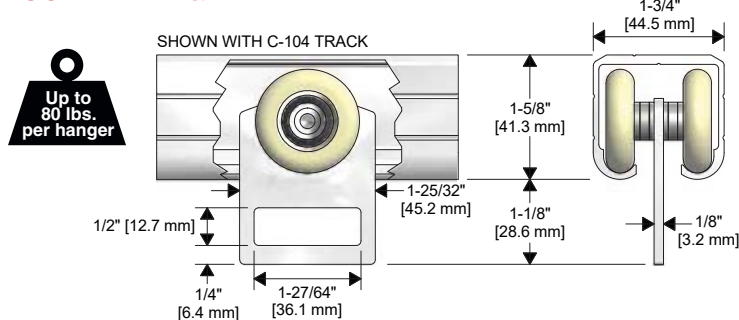
Crowder Carpet Hangers (CCH) are also ideal for showroom product display panels. The CCH hangers got their start when a retail store needed to show the different types of carpets available while keeping the space required to display its products to a minimum. **CCH-1** can be used with **C-104** or **C-108** Track. **CCH-2** can be used with **C-411** or **C-412** Track.



HIDDEN HARDWARE FOR DOOR PANELS

Crowder's Hidden Hardware for Door Panels is a great way to showcase multiple products on a door while keeping the visibility of sliding track & hardware to a minimum. The only products that would be visible using our Hidden Hardware system are the **C-971** Wall Track and **C-973** Wall Rail. The **C-971** & **C-973** are available in Clear or Bronze Anodized Finish to help blend in with the background.

CCH-1 HANGER



CCH-2 HANGER

