

C-50P PASSAGE ADA DOOR PULL

INSTRUCTION SHEET

SUITABLE FOR 4.75" - 10" FRAME THICKNESS - SEE CHART A
DOOR MUST BE ALIGNED TO THE MIDDLE OF JAMB/POCKET

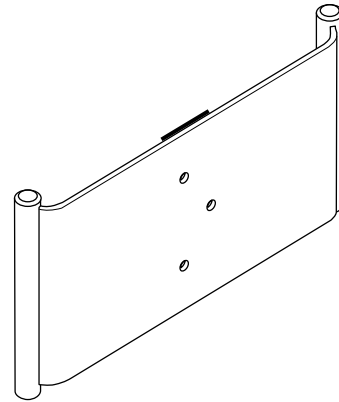
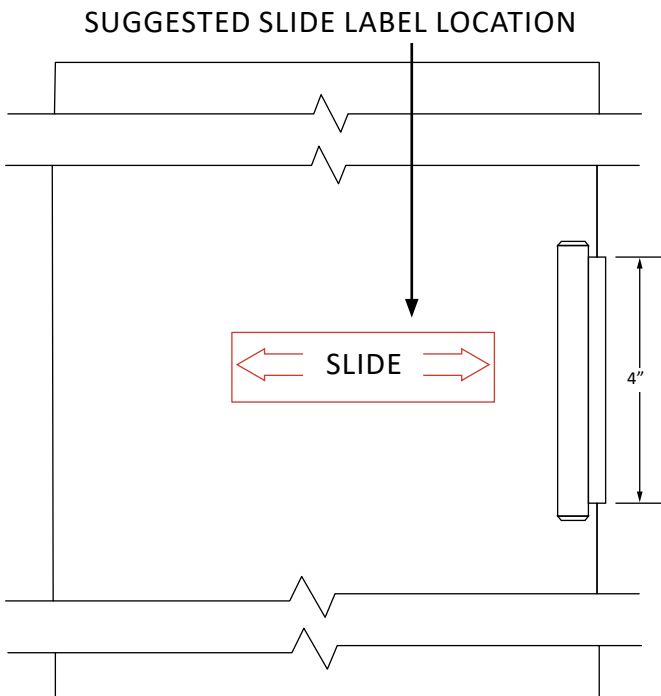
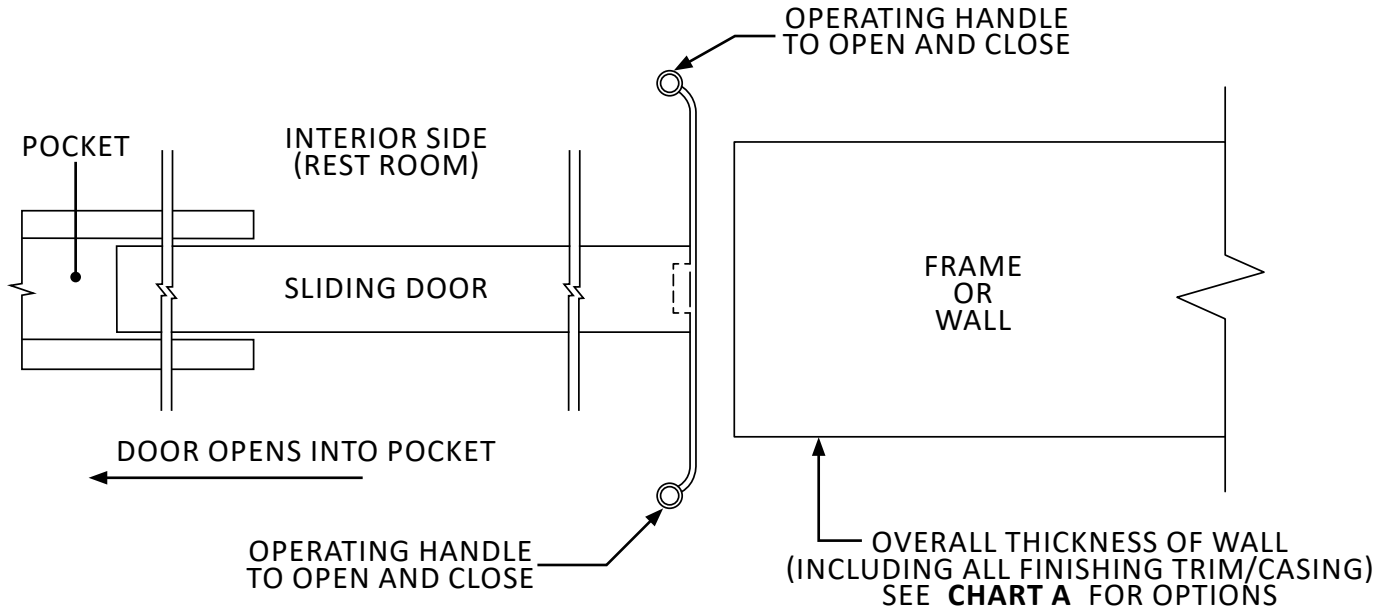


CHART A

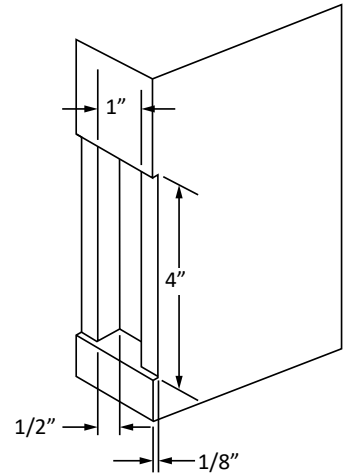
PLEASE ORDER THE C-50P AND SPECIFY CODE PER CHART BELOW WHEN ORDERING BASED ON THE OVERALL WALL THICKNESS, INCLUDING ALL FINISHING TRIM & CASING.

PRODUCT CODE:	FRAME/WALL THICKNESS:
C-50P-A	4.75" [121 MM] TO 5.5" [140 MM]
C-50P-B	5.75" [146 MM] TO 7" [178 MM]
C-50P-C	7.25" [184 MM] TO 8.5" [216 MM]
C-50P-D	8.75" [222 MM] TO 10" [254 MM]

C-50P PASSAGE ADA DOOR PULL
DOOR PREP DETAILS

SUITABLE FOR 4.75 - 10" FRAME THICKNESS - SEE CHART A
DOOR MUST BE ALIGNED TO THE MIDDLE OF JAMB/POCKET

1. PREPARE DOOR AS SHOWN TO THE RIGHT.
2. ATTACH PULL TO DOOR USING THREE (3) #6 X 1-5/8" FH PH WS (SUPPLIED)
3. INSERT THREE (3) PLUG/MUTE IN SCREW HOLES TO CONCEAL SCREWS AND PROVIDE IMPACT BUMPER.
4. INSTALL SLIDE DECALS AS SHOWN (SEE PAGE 2)



DOOR PREP DETAIL:
CENTER PULL ON DOOR CENTERLINE (FOR 1-3/8" AND THICKER WOOD DOORS)
HEIGHT ON DOOR IS SUBJECT TO INSTALLER DISCRETION

NOT TO SCALE

