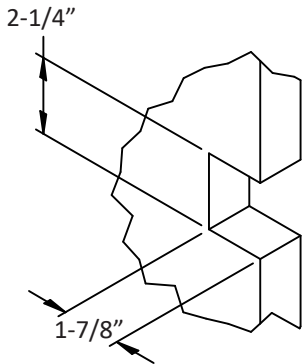


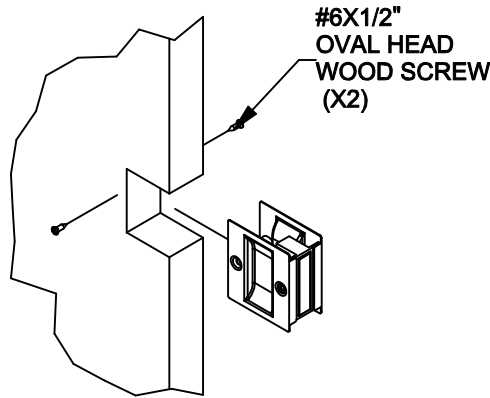
C-30 PRIVACY DOOR LOCK & PULL C-40 PASSAGE PULL



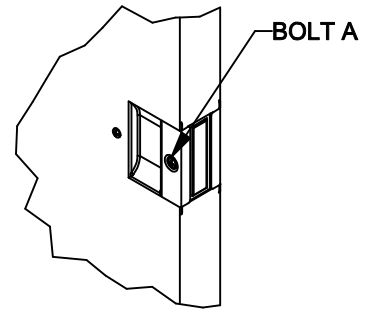
DOOR PREPARATION & INSTALLATION



1. CUT NOTCH IN DOOR AS SHOWN ABOVE.

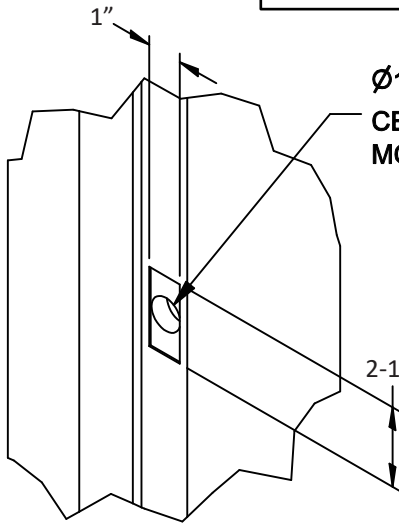


2. SLIP PULL INTO POSITION AS SHOWN



3. BOLT "A" (ONE PER SIDE) ADJUSTS WIDTH OF PULL AND TIGHTENS PULL ON DOOR. INSTALL WOOD SCREWS (STEP 2) AFTER ADJUSTING EACH BOLT "A".

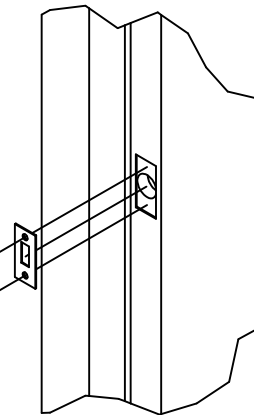
STRIKE PREPARATION & INSTALLATION (C-30 ONLY)



$\varnothing 15/16" \nabla 1/2"$
CENTERED IN
MORTISED SECTION

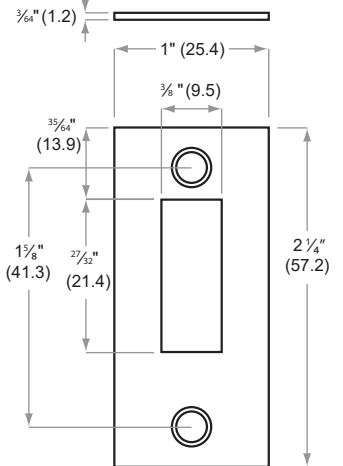
#6X3/4" UNDERCUT,
FLAT HEAD
WOOD
SCREW (X2)

1. MARK AND MORTISE STRIKE ON JAMB TO MATCH LOCK POSITION ON DOOR - MORTISE 1" WIDE X 2-1/4" HIGH X 3/64" DEEP, DRILL $\varnothing 15/16"$ HOLE 1/2" DEEP IN CENTER OF MORTISE.

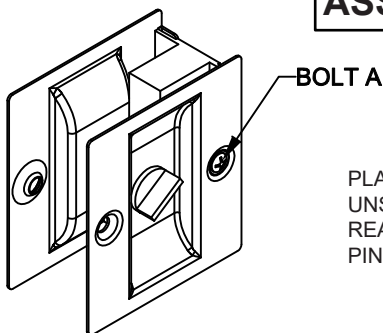


2. INSTALL STRIKE PLATE AS SHOWN ABOVE.

STRIKE DETAIL:

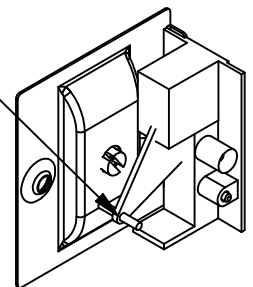


ASSEMBLE AFTER REVERSING PLATES



BOLT A

ROCKER PIN



PLATES CAN BE REVERSED TO MATCH REQUIRED ORIENTATION. UNSCREW BOTH BOLTS "A" TO REMOVE PLATES. REVERSE AND REATTACHED. BE SURE TO ENGAGE FORK ARM WITH ROCKER PIN BEFORE REINSTALLING BOLTS.



K.N. CROWDER MFG. INC.

1220 BURLOAK DRIVE
BURLINGTON, ONTARIO, CANADA, L7L 6B3
TOLL-FREE PHONE: 1-866-999-1KNC (1562)
TOLL-FREE FAX: 1-800-567-0123

WEBSITE: www.kncrowder.com --- EMAIL: customerservice@kncrowder.com

K.N. CROWDER INC.

210 EIGHTH STREET SOUTH
LEWISTON, NEW YORK, U.S.A. 14092
TOLL-FREE PHONE: 1-866-999-1KNC (1562)
TOLL-FREE FAX: 1-800-567-0123

© 2018 K.N. CROWDER MFG. INC. All Rights Reserved.