

# C-91-BB PASSAGE SET

## DOOR PREP TEMPLATE

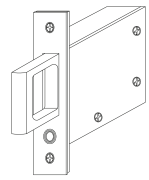
SUITABLE FOR 1-3/8" UP TO 2-1/4" THICK DOORS

### SPECIFICATIONS:

CASE: Heavy Gauge Wrought  
 ARMOR FRONT: Brass, Bronze, Stainless  
 PULL: 1/2" Thick x 2" High x 1-1/4" Throw

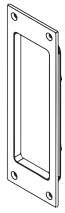
**COMPONENTS INCLUDED:**

**1x**

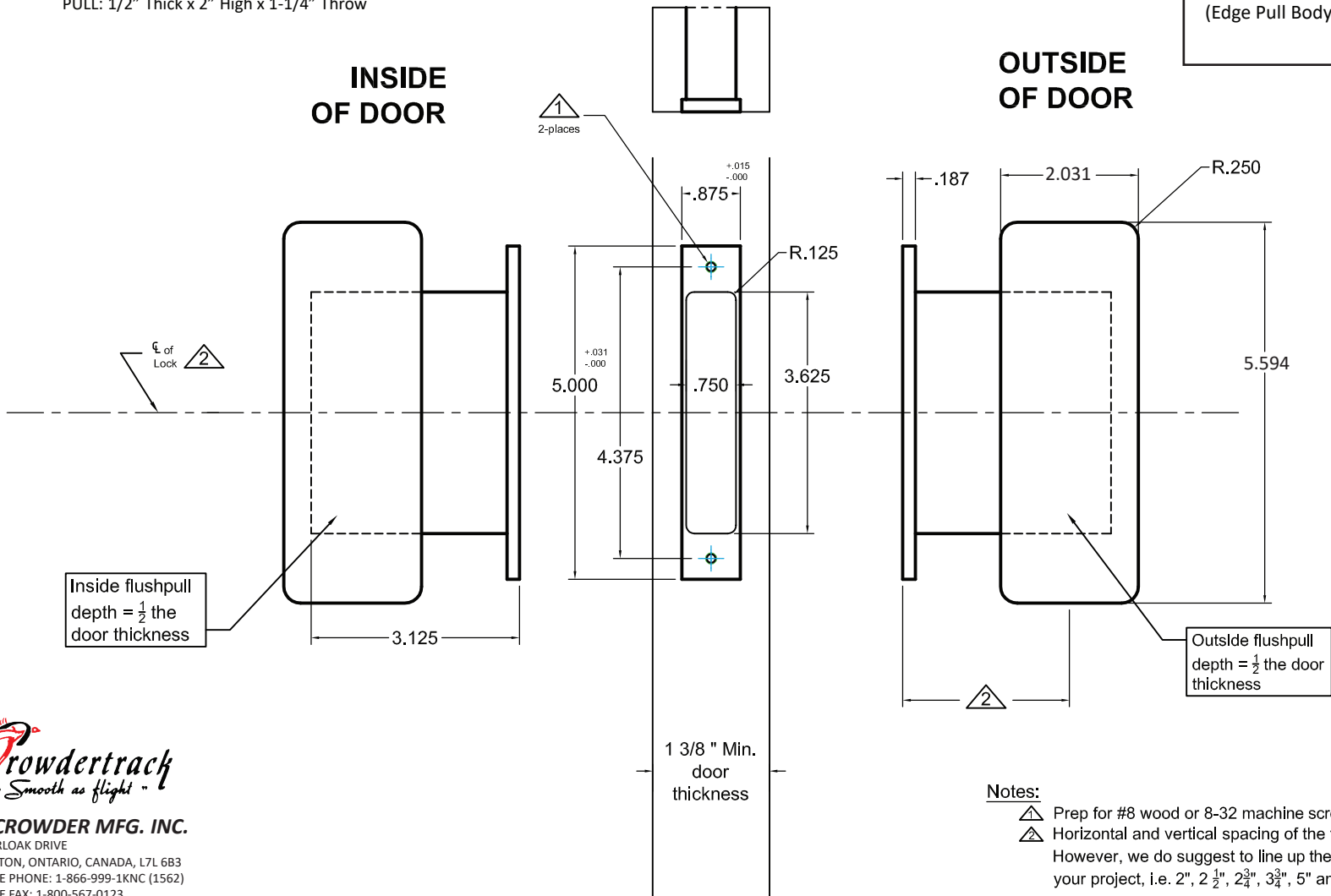


**C-91**  
(Edge Pull Body)

**2x**



**C-90B**  
(Blank Flush Pull)



**K.N. CROWDER MFG. INC.**  
 1220 BURLOAK DRIVE  
 BURLINGTON, ONTARIO, CANADA, L7L 6B3  
 TOLL-FREE PHONE: 1-866-999-1KNC (1562)  
 TOLL-FREE FAX: 1-800-567-0123

**K.N. CROWDER INC.**  
 210 EIGHTH STREET SOUTH  
 LEWISTON, NEW YORK, U.S.A. 14092  
 TOLL-FREE PHONE: 1-866-999-1KNC (1562)  
 TOLL-FREE FAX: 1-800-567-0123

WEBSITE: [www.kncrowder.com](http://www.kncrowder.com)  
 EMAIL: [customerservice@kncrowder.com](mailto:customerservice@kncrowder.com)  
 © 2018 K.N. CROWDER MFG. INC. All Rights Reserved.

### Notes:

- ▲ Prep for #8 wood or 8-32 machine screws.
- ▲ Horizontal and vertical spacing of the flush pulls is up to the end user. However, we do suggest to line up the backset with the other locks on your project, i.e. 2", 2 1/2", 2 3/4", 3 3/4", 5" and 6"

### Additional Notes:

- **Responsibility:** Door and frame manufacturers are responsible for providing adequate construction or re-inforcement for proper installation of hardware shown.