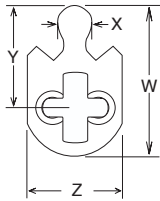


SPECIFICATIONS:

- CASE:** HEAVY GAUGE WROUGHT
- ARMOR FRONT:** BRASS, BRONZE, STAINLESS
- DEAD BOLT:** 1/2" THICK X 5/8" HIGH X 1" THROW
- PULL:** 1/4" THICK X 1-1/2" HIGH X 7/8" SWINGOUT
- CAM:** SEE DETAILS OF CAM REQUIRED FOR CYLINDERS USED WITH THE C-95SL LOCK

B520-233

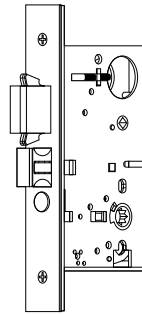


CAM REQUIRED

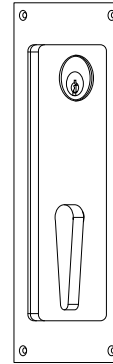
DIMENSIONS:

- W = 1.000"
- X = 0.232"
- Y = 0.729"
- Z = 0.694"

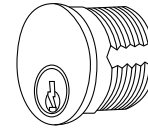
COMPONENTS INCLUDED:



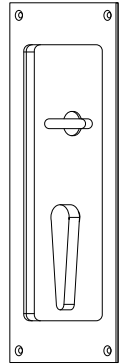
C-95ESL
ENTRY
SELF-LATCHING
LOCK BODY



C-95CFP
CYLINDER
SELF-LATCHING
FLUSH PULL

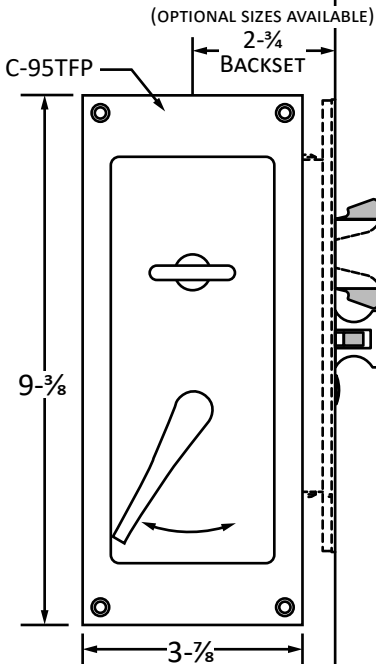


CYLINDER
1" DIAMETER HOLE X
1" DEPTH, 5-PIN
SCHLAGE "C" KEY WAY

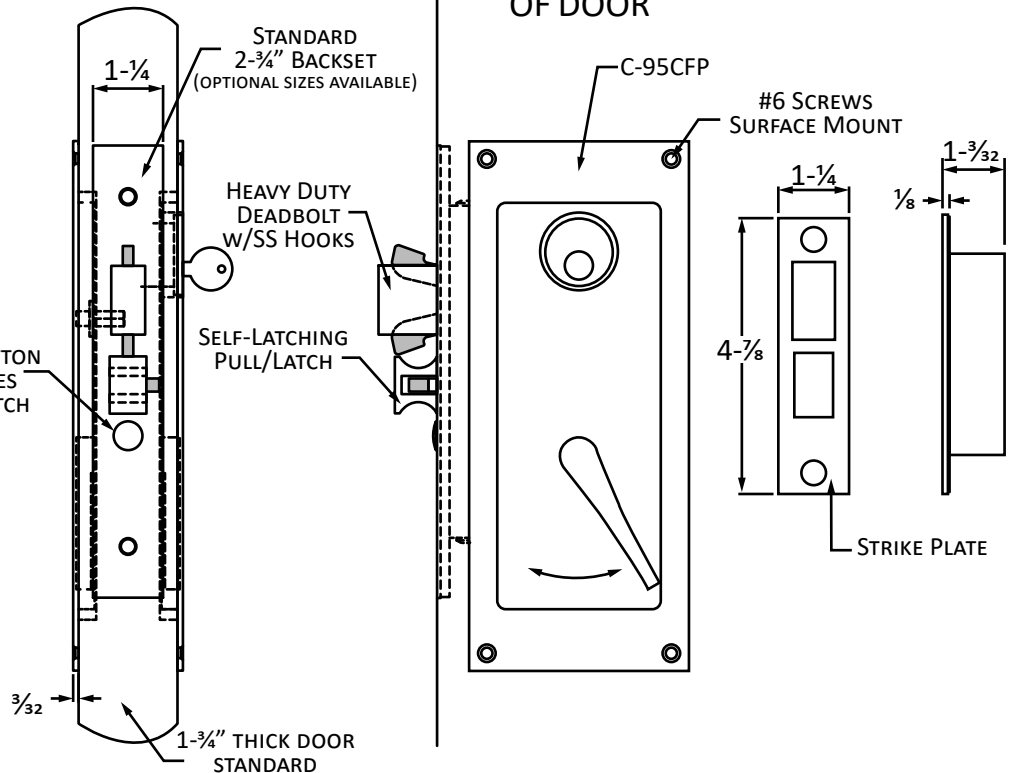


C-95TFP
THUMB TURN
SELF-LATCHING
FLUSH PULL

INSIDE OF DOOR



OUTSIDE OF DOOR






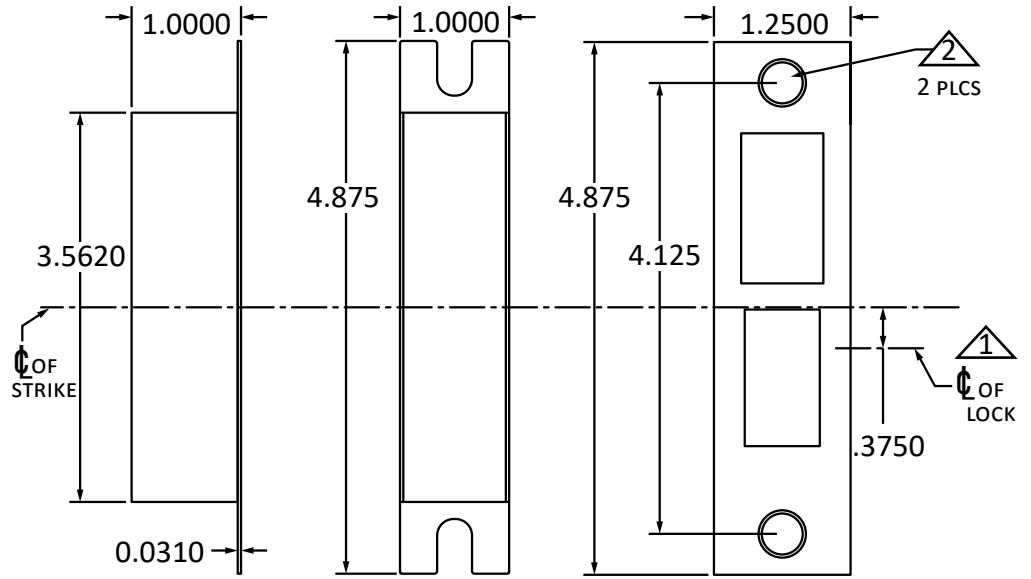
NOT TO SCALE

C-95SL-CT SELF-LATCHING FLUSH SECURITY LOCK SET

DOOR PREP TEMPLATE

SUITABLE FOR 1-3/4" THICK DOORS ONLY

-  INSERT BACKSET HERE
2-1/2", 2-3/4", 5", OR 6"
(OPTIONAL SIZES AVAILABLE)
-  PREP FOR #12 WOOD OR
12-24 MACHINE SCREWS
-  CENTERLINE OF STRIKE IS
3/8" ABOVE CENTERLINE
OF LOCK



NOT TO SCALE

