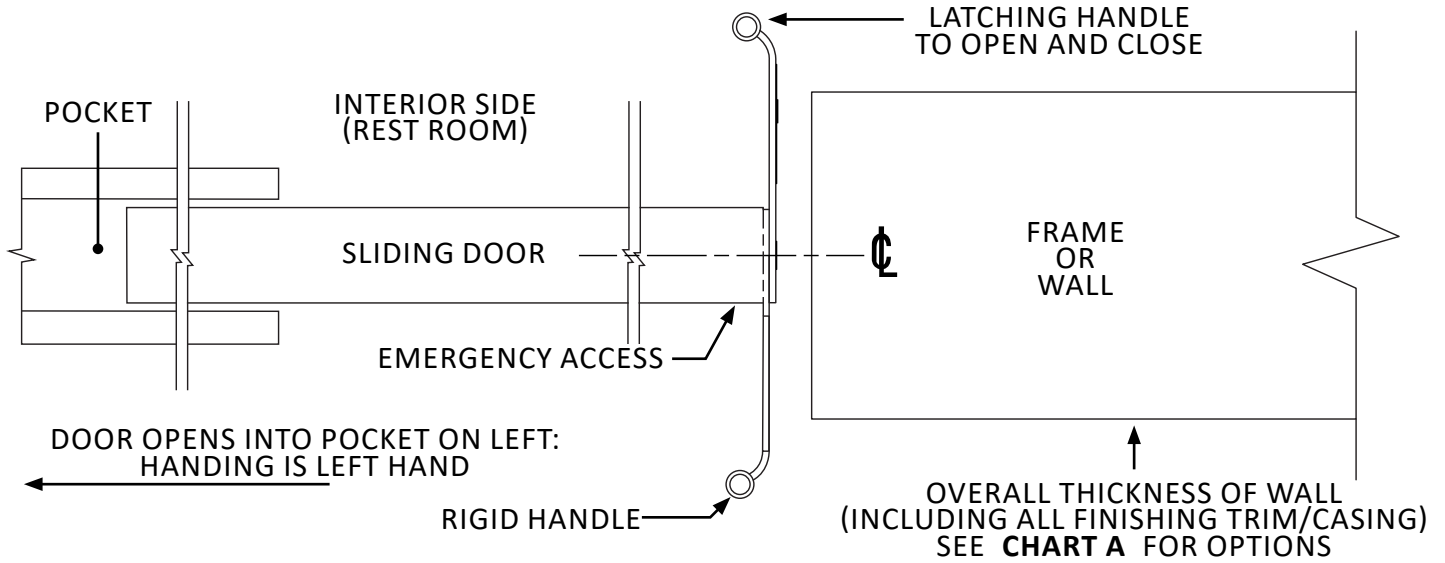


C-50FP FULL PRIVACY ADA POCKET LOCK SET

INSTRUCTION SHEET

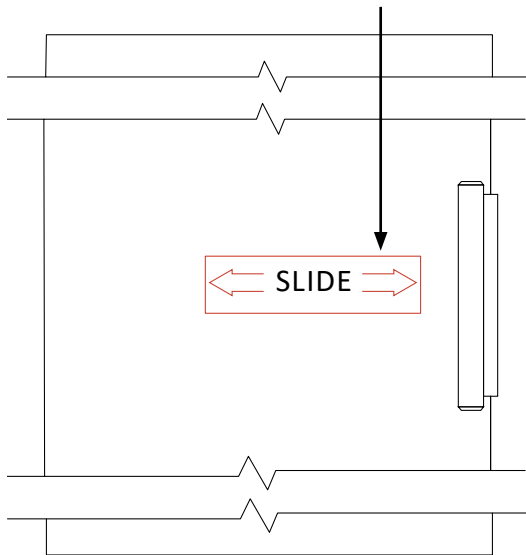
SUITABLE FOR 4.75 - 10" FRAME THICKNESS - SEE CHART A
DOOR MUST BE ALIGNED TO THE MIDDLE OF JAMB/POCKET



INSTALLATION INSTRUCTIONS:

1. THE RIGID HANDLE ON THE C-50FP IS ON THE EXTERIOR.
2. THE LATCHING HANDLE (THAT LOCKS THE DOOR) IS LOCATED ON THE INTERIOR SIDE.
3. CLOSE THE POCKET DOOR.
4. IF THE DOOR SLIDES TO THE RIGHT TO OPEN, AND YOU ARE OUTSIDE, THEN THIS IS A RIGHT HANDED SLIDING DOOR.
5. IF THE DOOR SLIDES TO THE LEFT TO OPEN, AND YOU ARE OUTSIDE, THEN THIS IS A LEFT HANDED SLIDING DOOR.

SUGGESTED SLIDE LABEL LOCATION



HANDING IS REQUIRED SO THAT THE OPERATING HANDLE IS ON THE INTERIOR SIDE SO WHEN USED WILL LOCK THE DOOR

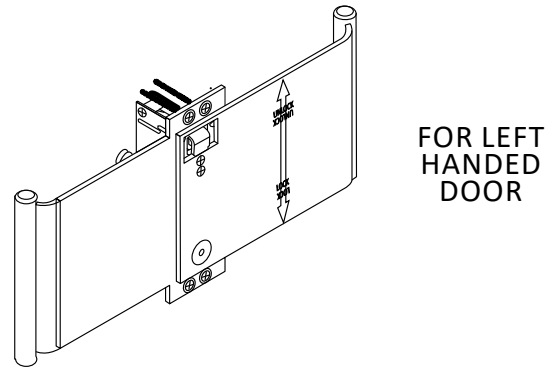


CHART A

PLEASE ORDER THE C-50P AND SPECIFY CODE PER CHART BELOW WHEN ORDERING BASED ON THE OVERALL WALL THICKNESS, INCLUDING ALL FINISHING TRIM & CASING.

PRODUCT CODE:	FRAME/WALL THICKNESS:
C-50FP-A	4.75" [121 MM] TO 5.5" [140 MM]
C-50FP-B	5.75" [146 MM] TO 7" [178 MM]
C-50FP-C	7.25" [184 MM] TO 8.5" [216 MM]
C-50FP-D	8.75" [222 MM] TO 10" [254 MM]

NOTE: THE EMERGENCY ACCESS IS ALSO LOCATED ON THE EXTERIOR SIDE NEXT TO THE RIGID HANDLE

C-50FP FULL PRIVACY ADA POCKET LOCK SET

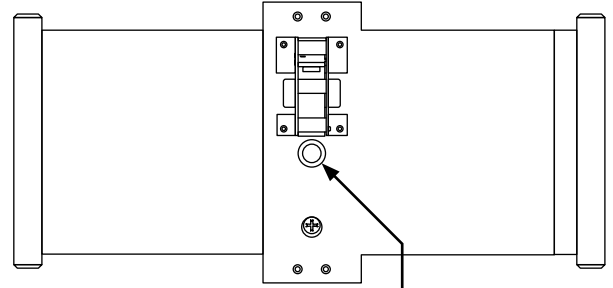
DOOR PREP DETAILS

**SUITABLE FOR 4.75 - 10" FRAME THICKNESS - SEE CHART A
DOOR MUST BE ALIGNED TO THE MIDDLE OF JAMB/POCKET**

INSTALLATION INSTRUCTIONS:

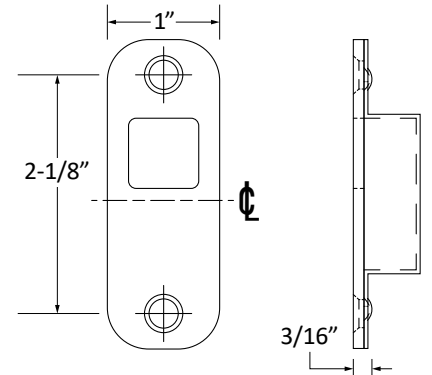
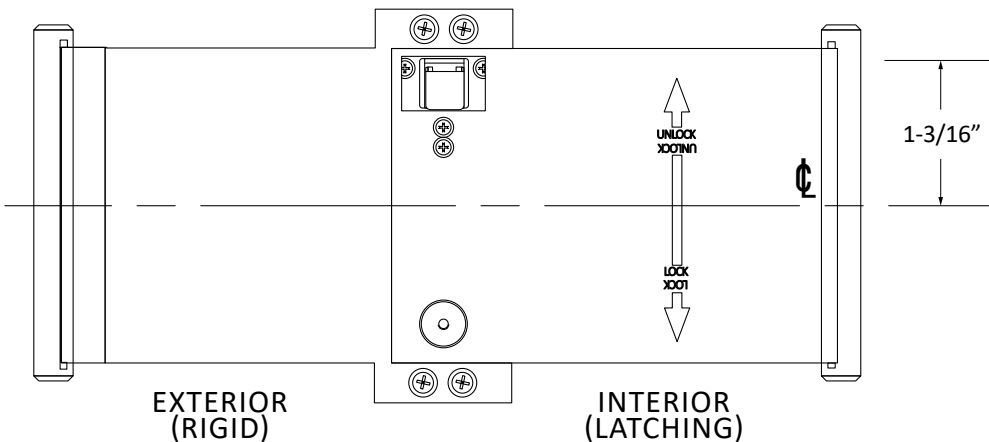
1. OUR STANDARD C-50FP ASSEMBLY WILL WORK WITH A FRAME/WALL OF UP TO 5-1/2" WIDTH - SEE CHART A FOR MORE DETAILS.
2. TO DETERMINE THE HANDING FOR OUR C-50FP, PLEASE REFER TO PAGE 1.
3. TO ADJUST THE RESISTANCE TO LOCK/UN-LOCK:
 - A. TURN SET-SCREW CW - USE 3/16" HEX KEY (ALLEN WRENCH) TO INCREASE RESISTANCE TO LOCK/UNLOCK
 - B. TURN SET-SCREW CCW - USE 3/16" HEX KEY (ALLEN WRENCH) TO DECREASE RESISTANCE TO LOCK/UNLOCK
4. PREPARE DOOR AND FRAME AS INDICATED ON PAGE 3 OR 4 DEPENDING ON DOOR THICKNESS. (STRIKE PERPARATION IS THE SAME REGARDLESS)
5. INSERT DOOR PULL AND INSTALL USING QUANTITY FOUR (4) #8 X 1-5/8" FH PH DRYWALL SCREWS (SUPPLIED)
6. INSTALL STRIKE USING (2) #8 X 3/4" FH WS (SUPPLIED) THEN TEST UNIT.
7. INSTALL LOCK/UNLOCK DECAL AS SHOWN.
8. INSTALL SLIDE DECALS AS SHOWN (SEE PAGE 1)
9. FOR EMERGENCY ACCESS, PLEASE SEE PAGE 4.

LH SHOWN BACK VIEW



**REFER TO NOTE 3 TO ADJUST
LOCK/UNLOCK RESISTANCE**

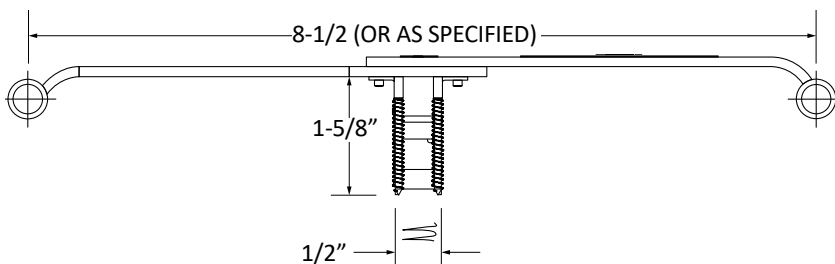
LH SHOWN FRONT VIEW



STRIKE & STRIKE BOX

NOT TO SCALE

C-50FP POCKET DOOR PULL



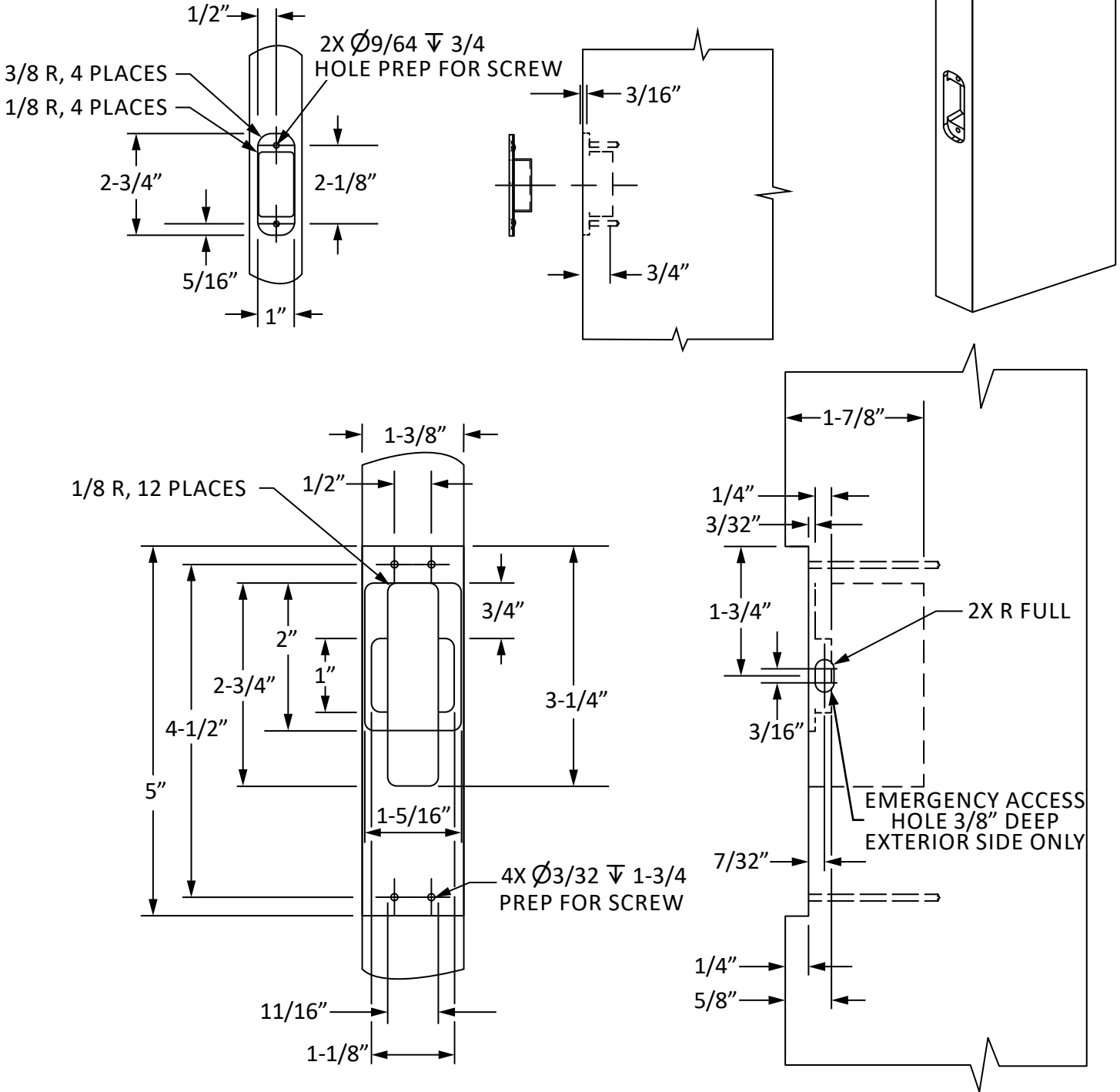
PAGE 3 OF 4: DOOR PREP FOR 1-3/8" WOOD DOOR

PAGE 4 OF 4: DOOR PREP FOR 1-3/4" WOOD DOOR AND WIDER

C-50FP FULL PRIVACY ADA POCKET LOCK SET
DOOR PREP DETAILS FOR 1-3/8" THICK DOORS

SUITABLE FOR 4.75 - 10" FRAME THICKNESS - SEE CHART A
DOOR MUST BE ALIGNED TO THE MIDDLE OF JAMB/POCKET

PREP FOR STRIKE
IN WOOD FRAME



C-50FP FULL PRIVACY ADA POCKET LOCK SET
DOOR PREP DETAILS FOR 1-3/4" THICK DOORS OR WIDER

SUITABLE FOR 4.75 - 10" FRAME THICKNESS - SEE CHART A
DOOR MUST BE ALIGNED TO THE MIDDLE OF JAMB/POCKET

