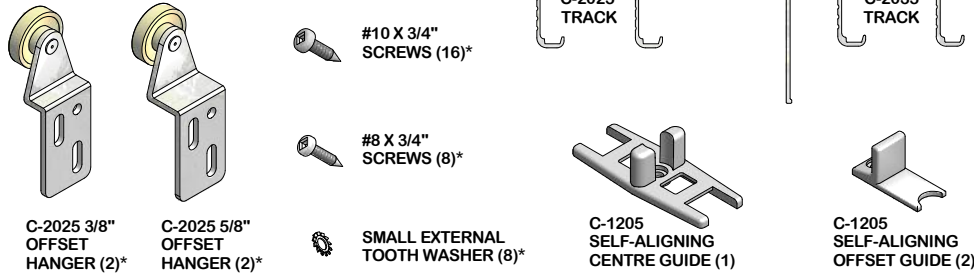


# C-2025/C-2035 SERIES SLIDING DOOR KIT INSTRUCTION SHEET FOR 3/4" OR 1-3/8" DOORS

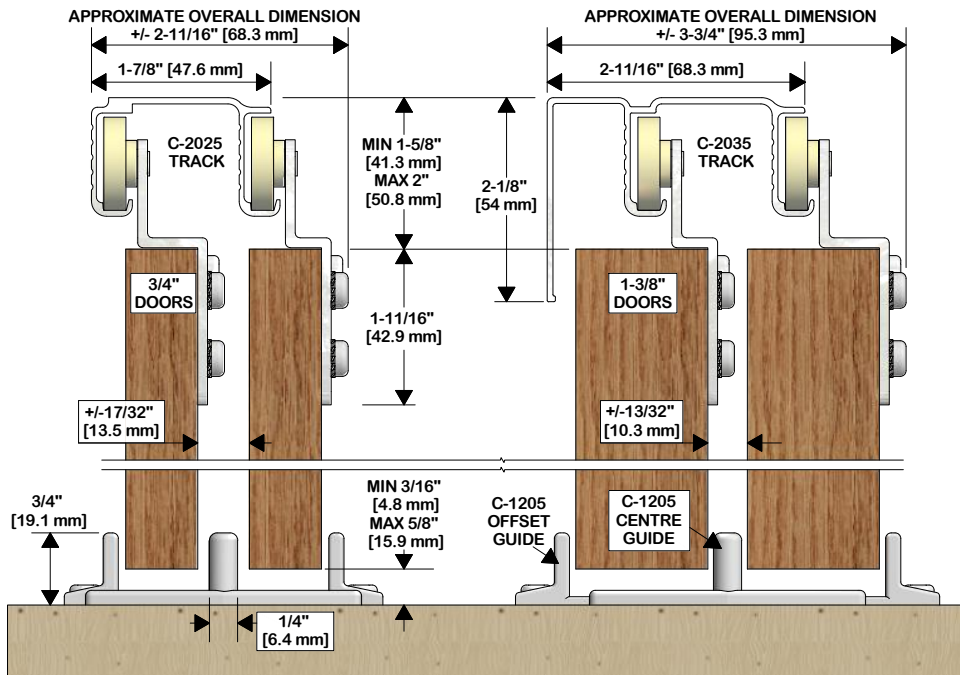


## PARTS LIST (FOR 2 DOOR KIT)



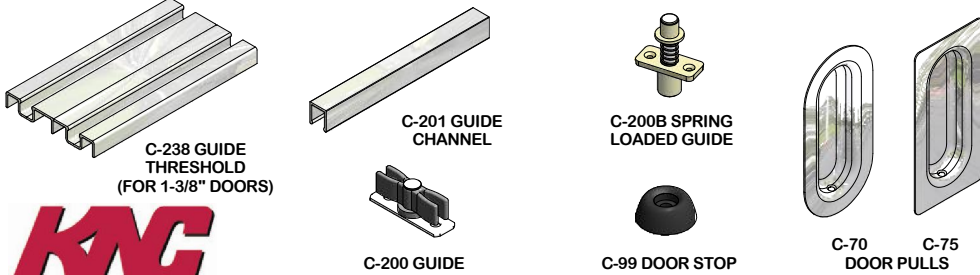
LOAD CAPACITY: 60 LBS PER DOOR. (\*ALL PARTS FOR C-2025 4-DOOR KIT ARE 2X QUANTITY OF C-2025 2-DOOR KIT)

**DIMENSION DETAILS:** FOR ILLUSTRATION PURPOSES ONLY, 3/4" DOORS SHOWN ON C-2025, AND 1-3/8" DOORS ON C-2035



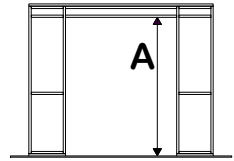
## OPTIONAL PRODUCTS

GUIDE SYSTEM:



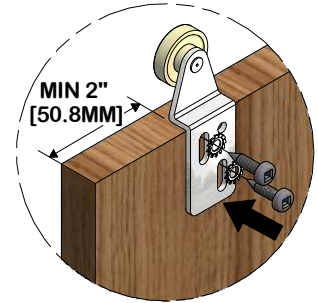
## INSTALLATION INSTRUCTIONS

**STEP 1**  
DETERMINE DOOR SIZE/HEADER HEIGHT BASED ON DIMENSIONS SHOWN IN DETAIL VIEWS AND CLEARANCE REQUIRED BELOW DOOR:  
-MINIMUM OPENING HEIGHT (A) = DOOR HEIGHT + 1-13/16"  
-MAXIMUM OPENING HEIGHT (A) = DOOR HEIGHT + 2-5/8"



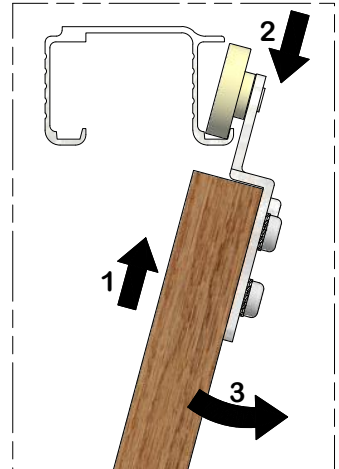
**STEP 2**  
CUT TRACK TO LENGTH. TRACK LENGTH SHOULD BE EQUAL TO FINISHED OPENING SIZE LESS 1/8". SECURE TO HEADER WITH #10 X 3/4" SCREWS (6-8).

**STEP 3**  
DETERMINING HANGERS FOR DOORS:  
FOR 3/4" DOORS: 3/8" OFFSET HANGERS ON REAR DOOR. 5/8" OFFSET HANGERS ON FRONT DOOR.  
FOR 1-3/8" DOORS: 5/8" OFFSET HANGERS ON REAR DOOR. 3/8" OFFSET HANGERS ON FRONT DOOR.



**STEP 4**  
IF USING HOLLOW CORE DOORS, AVOID TRIMMING DOOR AT TOP END IN ORDER TO HAVE AN ADEQUATE AMOUNT OF SOLID MATERIAL TO RECEIVE HANGER SCREWS.

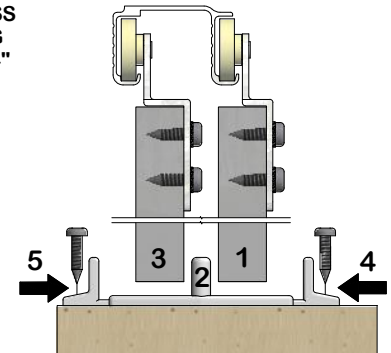
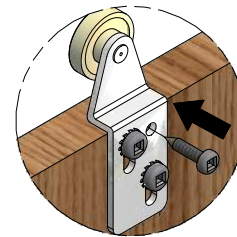
**STEP 5**  
MOUNT HANGERS ON BACK OF DOOR 2" FROM EACH EDGE. SECURE USING THE OBLONG HOLES WITH #10 X 3/4" SCREWS AND A SMALL EXTERNAL TOOTH WASHER (2 PER HANGER). NOTE: WITH HANGERS SEATED AGAINST TOP EDGE OF DOOR, LOCATE SCREWS NEAR TOP OF OBLONG HOLES TO PERMIT MAXIMUM ADJUSTMENT. DO NOT TIGHTEN TO ALLOW FOR ADJUSTMENT.



**STEP 6**  
PREPARE DOOR FOR INSTALLATION OF OPTIONAL PRODUCTS SUCH AS GUIDE CHANNELS, CUP PULLS, ETC, AS REQUIRED. INDIVIDUAL INSTRUCTIONS ARE PROVIDED WITH THE RESPECTIVE PRODUCT.

**STEP 7**  
THE REAR DOOR MUST BE INSTALLED PRIOR TO FRONT DOOR. LIFT DOOR UNDER BACK TRACK, AND ENGAGE BY ANGLING HANGERS TOWARDS BACK. (SEE ILLUSTRATION). ONCE DOOR IS ON TRACK, HOLD IN PLUMB POSITION, PLACE C-1205 CENTRE GUIDE ON FLOOR AGAINST DOOR AND SECURE WITH #8 X 3/4" SCREW (1). REPEAT PROCESS FOR FRONT DOOR. ONCE DOORS ARE ON TRACK, USING C-1205 OFFSET GUIDES SECURE TO FLOOR WITH #8 X 3/4" SCREWS (2) THIS WILL ALIGN DOORS VERTICALLY.

**STEP 8**  
ADJUST DOOR HEIGHT AND PLUMB. TIGHTEN SCREWS TO SECURE ADJUSTMENTS. USE #8 X 3/4" SCREWS (4) IN CIRCULAR HOLE ON HANGERS TO LOCK FINAL ADJUSTMENTS.



K.N. CROWDER MFG. INC.  
1220 BURLOAK DRIVE  
BURLINGTON, ONTARIO, CANADA, L7L 6B3  
TELEPHONE: 905-315-9788 - FAX: 905-315-8090  
TOLL FREE FAX: 1-800-567-0123

K.N. CROWDER INC.  
210 EIGHTH STREET SOUTH  
LEWISTON, NEW YORK, U.S.A. 14092  
TELEPHONE: 1-716-754-8247  
TOLL FREE FAX: 1-800-567-0123

WEBSITE: [www.kncrowder.com](http://www.kncrowder.com) -- E-MAIL: [customerservice@kncrowder.com](mailto:customerservice@kncrowder.com)