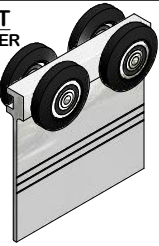


C-205-4 HANGER FOR C-204 TRACK INSTRUCTION SHEET



PARTS LIST

C-205-4 HANGER
(2 PER DOOR)



5/16"-18 X 2-1/2"
HEX BOLT
(1 PER 4" HANGER)



EXTRUDED
ALUMINUM TRACK



5/16" HEX NUT
(1 PER 4" HANGER)



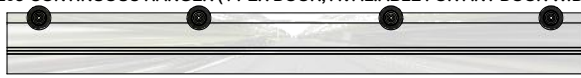
5/16" PLAIN WASHER
(2 PER 4" HANGER)



OR
C-205-8
HANGER
7" WIDE
(2 PER DOOR)



OR
C-205-CONTINUOUS HANGER (1 PER DOOR, AVAILABLE FOR ANY DOOR WIDTH)



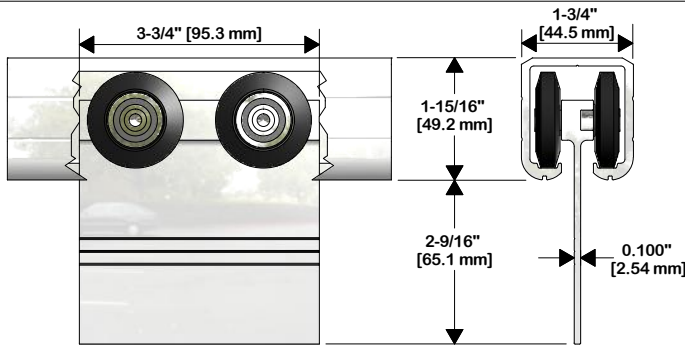
SPECIFICATIONS:

-LOAD CAPACITY:
C-205-4: 250 LBS PER DOOR.
C-205-8: 450 LBS PER DOOR.

-DESIGNED FOR SOLID WOOD
DOORS.

-HEAVY-DUTY PRECISION BALL
BEARING WHEELS WITH STEEL
TIRE.

-FOR BY-PASSING, BI-PARTING,
POCKET, AND SURFACE
MOUNT/BARN STYLE
APPLICATIONS.



STEP 1

DETERMINE DOOR SIZE/HEADER HEIGHT BASED ON DIMENSIONS SHOWN IN DETAIL VIEWS AND CLEARANCE REQUIRED BELOW DOOR. SEE EXAMPLE IN STEP 3 ALSO.

STEP 2

PREPARE DOOR BY MAKING A SAW CUT THROUGH CENTER OF DOOR USING TABLE OR "CIRCULAR" SAW. KERF MUST BE 2" MINIMUM DEPTH TO 2-5/8" MAXIMUM.

STEP 3

POSITION HANGERS IN SLOT CREATED IN STEP 2, 3" FROM EDGE OF DOOR. DETERMINE FIXED HEIGHT AND DRILL A 21/64"Ø HOLE THROUGH DOOR AND HANGER TO OTHER SIDE. REPEAT FOR SECOND HANGER. SUGGESTION: PRE-DRILL DOOR WITH 21/64"Ø HOLES, 1"-1-1/4" FROM TOP OF DOOR AND 5" FROM EDGE OF DOOR. TYPICAL INSTALLATION EXAMPLE: FOR 2-9/16" FROM TOP OF TRACK TO TOP OF DOOR DRILL 21/64"Ø HOLE 7/8" FROM BOTTOM OF HANGER. DRILL 21/64"Ø HOLE 1-1/4" FROM TOP OF DOOR.

STEP 4

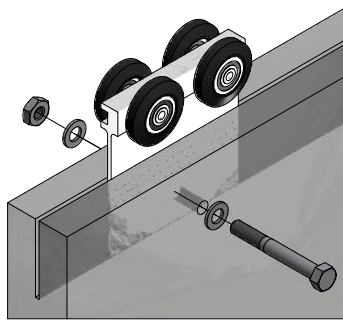
PREPARE DOOR FOR INSTALLATION OF OPTIONAL PRODUCTS IF PURCHASED SUCH AS GUIDE CHANNELS, CUP PULLS, DOOR LOCKS, ETC. INDIVIDUAL INSTRUCTIONS ARE PROVIDED WITH THE RESPECTIVE PRODUCT.

STEP 5

PLACE HANGER IN SLOT AND LINE UP WITH HOLES DRILLED IN STEP 2. SECURE TO DOOR WITH 5/16"-18 HEX BOLTS(2), 5/16" PLAIN WASHERS(4), AND 5/16" HEX NUTS(2).

STEP 6

RAISE DOOR AND HANGERS INTO C-204 TRACK AND SECURE TO HEADER. IF ACCESS TO ENDS OF TRACK IS RESTRICTED: PLACE HANGERS IN TRACK BEFORE MOUNTING TRACK, RAISE DOOR INTO POSITION AND INSERT BOLTS.



C-205-4 HANGER FOR C-204 TRACK INSTRUCTION SHEET



PARTS LIST

C-205-4 HANGER
(2 PER DOOR)



5/16"-18 X 2-1/2"
HEX BOLT
(1 PER 4" HANGER)



EXTRUDED
ALUMINUM TRACK



5/16" HEX NUT
(1 PER 4" HANGER)



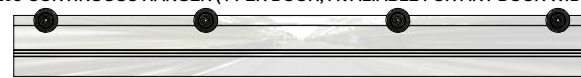
5/16" PLAIN WASHER
(2 PER 4" HANGER)



OR
C-205-8
HANGER
7" WIDE
(2 PER DOOR)



OR
C-205-CONTINUOUS HANGER (1 PER DOOR, AVAILABLE FOR ANY DOOR WIDTH)



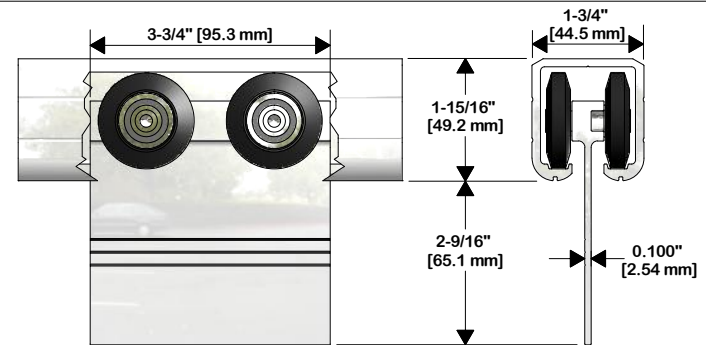
SPECIFICATIONS:

-LOAD CAPACITY:
C-205-4: 250 LBS PER DOOR.
C-205-8: 450 LBS PER DOOR.

-DESIGNED FOR SOLID WOOD
DOORS.

-HEAVY-DUTY PRECISION BALL
BEARING WHEELS WITH STEEL
TIRE.

-FOR BY-PASSING, BI-PARTING,
POCKET, AND SURFACE
MOUNT/BARN STYLE
APPLICATIONS.



STEP 1

DETERMINE DOOR SIZE/HEADER HEIGHT BASED ON DIMENSIONS SHOWN IN DETAIL VIEWS AND CLEARANCE REQUIRED BELOW DOOR. SEE EXAMPLE IN STEP 3 ALSO.

STEP 2

PREPARE DOOR BY MAKING A SAW CUT THROUGH CENTER OF DOOR USING TABLE OR "CIRCULAR" SAW. KERF MUST BE 2" MINIMUM DEPTH TO 2-5/8" MAXIMUM.

STEP 3

POSITION HANGERS IN SLOT CREATED IN STEP 2, 3" FROM EDGE OF DOOR. DETERMINE FIXED HEIGHT AND DRILL A 21/64"Ø HOLE THROUGH DOOR AND HANGER TO OTHER SIDE. REPEAT FOR SECOND HANGER. SUGGESTION: PRE-DRILL DOOR WITH 21/64"Ø HOLES, 1"-1-1/4" FROM TOP OF DOOR AND 5" FROM EDGE OF DOOR. TYPICAL INSTALLATION EXAMPLE: FOR 2-9/16" FROM TOP OF TRACK TO TOP OF DOOR DRILL 21/64"Ø HOLE 7/8" FROM BOTTOM OF HANGER. DRILL 21/64"Ø HOLE 1-1/4" FROM TOP OF DOOR.

STEP 4

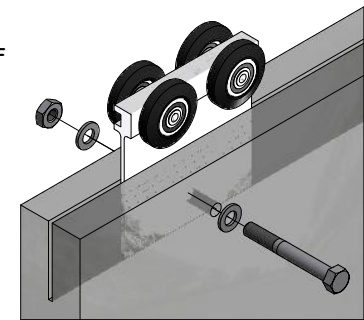
PREPARE DOOR FOR INSTALLATION OF OPTIONAL PRODUCTS IF PURCHASED SUCH AS GUIDE CHANNELS, CUP PULLS, DOOR LOCKS, ETC. INDIVIDUAL INSTRUCTIONS ARE PROVIDED WITH THE RESPECTIVE PRODUCT.

STEP 5

PLACE HANGER IN SLOT AND LINE UP WITH HOLES DRILLED IN STEP 2. SECURE TO DOOR WITH 5/16"-18 HEX BOLTS(2), 5/16" PLAIN WASHERS(4), AND 5/16" HEX NUTS(2).

STEP 6

RAISE DOOR AND HANGERS INTO C-204 TRACK AND SECURE TO HEADER. IF ACCESS TO ENDS OF TRACK IS RESTRICTED: PLACE HANGERS IN TRACK BEFORE MOUNTING TRACK, RAISE DOOR INTO POSITION AND INSERT BOLTS.



K.N. CROWDER MFG. INC.
1220 BURLOAK DRIVE
BURLINGTON, ONTARIO, CANADA, L7L 6B3
TELEPHONE: 905-315-9788 - FAX: 905-315-8090
TOLL FREE FAX: 1-800-567-0123

K.N. CROWDER INC.
210 EIGHTH STREET SOUTH
LEWISTON, NEW YORK, U.S.A. 14092
TELEPHONE: 1-716-754-8247
TOLL FREE FAX: 1-800-567-0123

WEBSITE: www.kncrowder.com -- E-MAIL: customerservice@kncrowder.com



K.N. CROWDER MFG. INC.
1220 BURLOAK DRIVE
BURLINGTON, ONTARIO, CANADA, L7L 6B3
TELEPHONE: 905-315-9788 - FAX: 905-315-8090
TOLL FREE FAX: 1-800-567-0123

K.N. CROWDER INC.
210 EIGHTH STREET SOUTH
LEWISTON, NEW YORK, U.S.A. 14092
TELEPHONE: 1-716-754-8247
TOLL FREE FAX: 1-800-567-0123

WEBSITE: www.kncrowder.com -- E-MAIL: customerservice@kncrowder.com