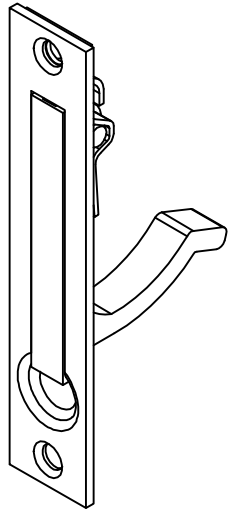


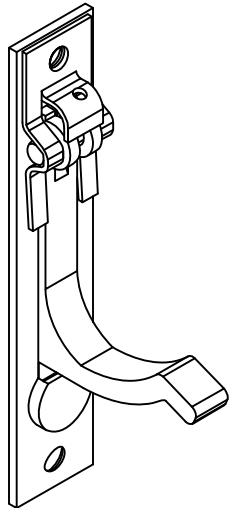
C-21 Edge Pull

Installation Instructions

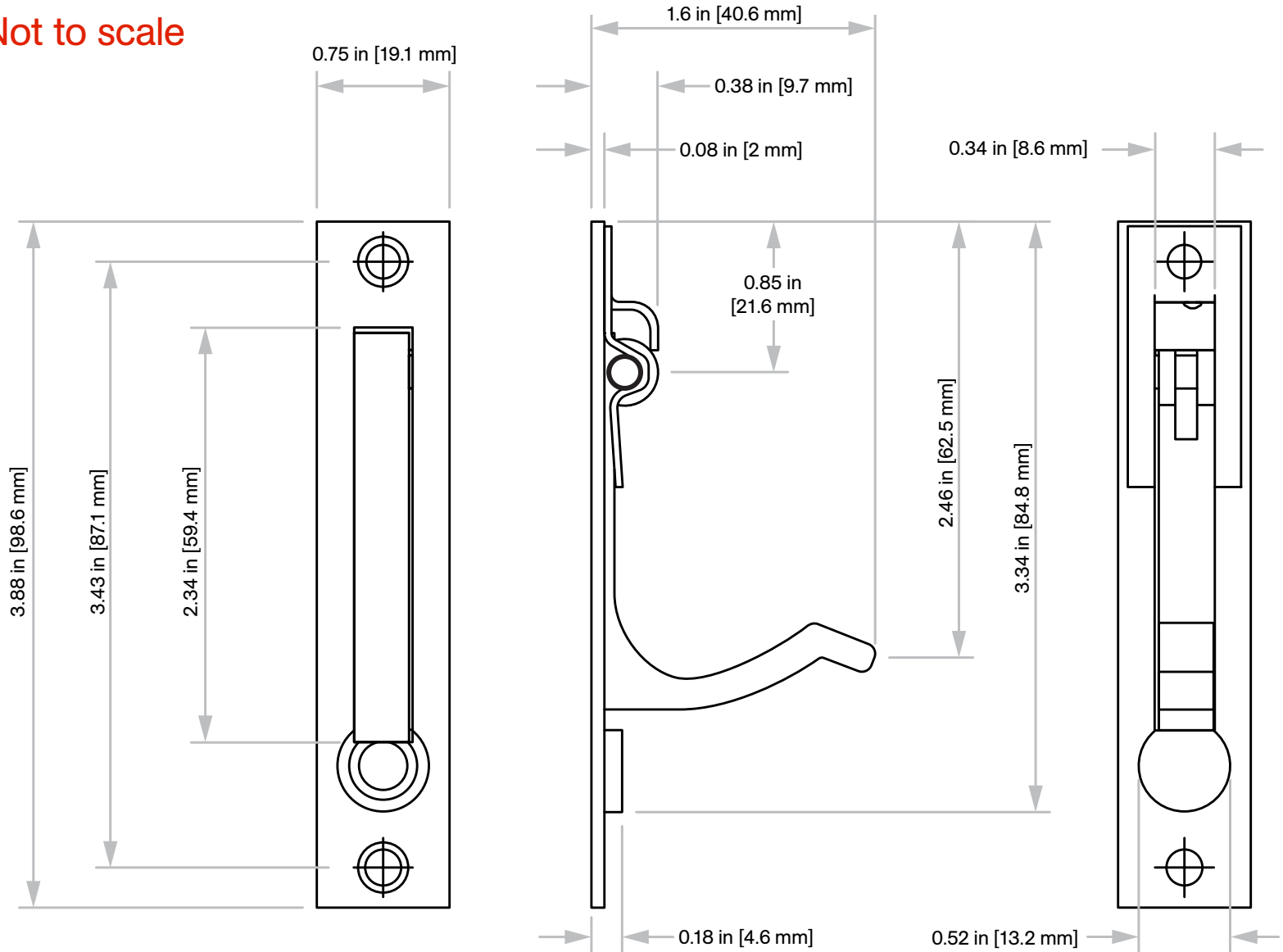
Not to scale

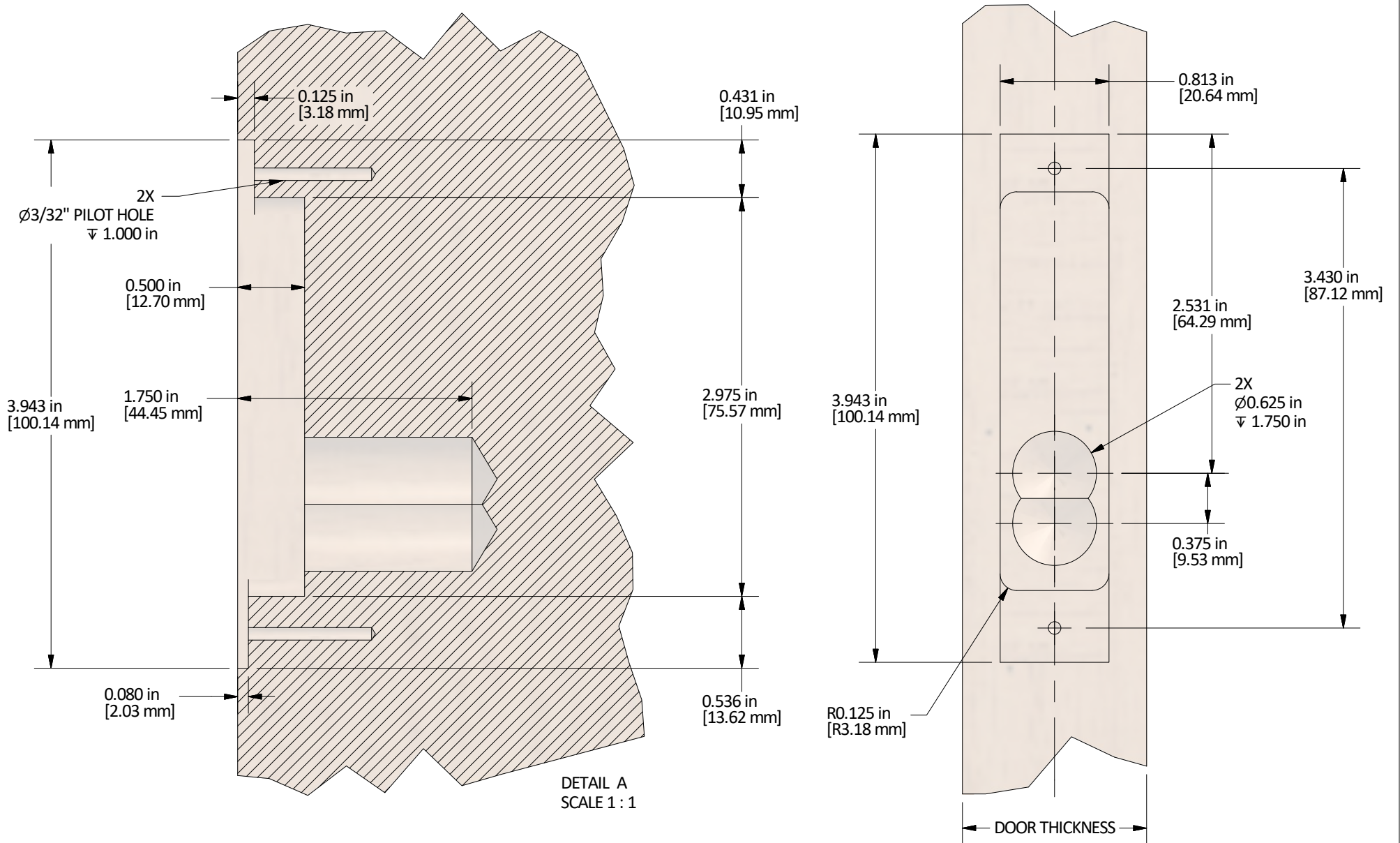


Front



Back





PRODUCT: C-21 EDGE PULL DOOR PREP DETAILS

CUSTOMER:

PROJECT:

DRAWN BY: G.PARON

DATE: MARCH 2018

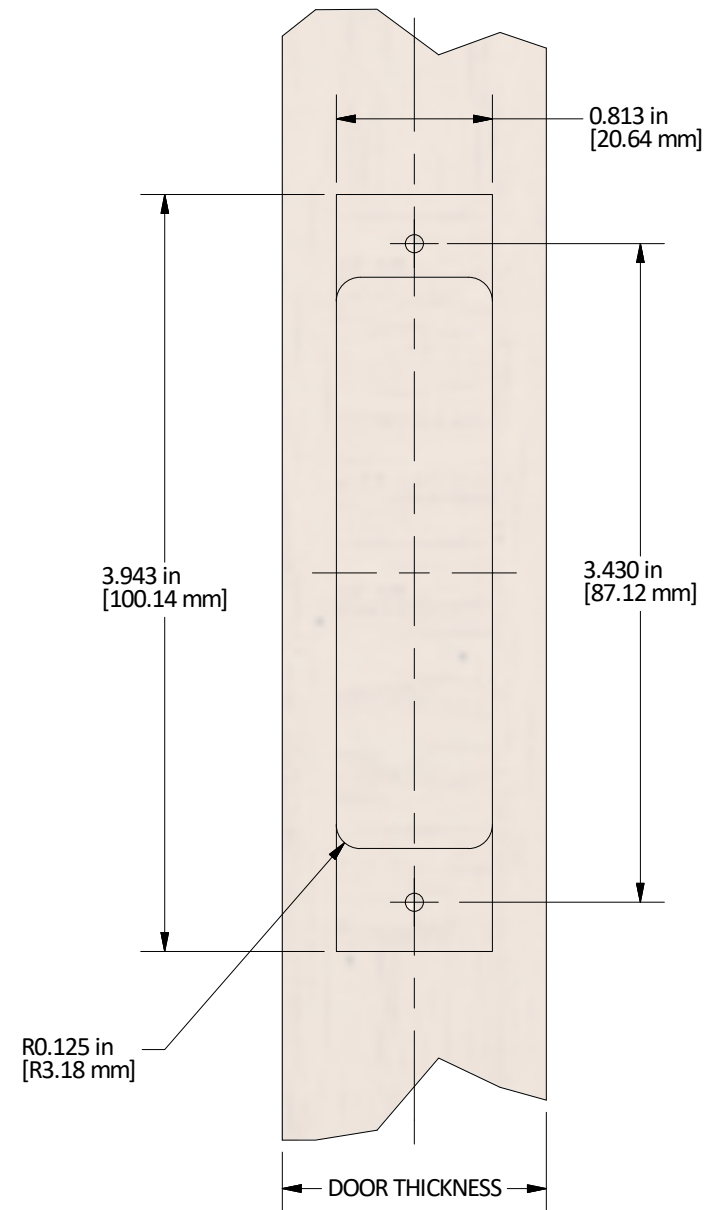
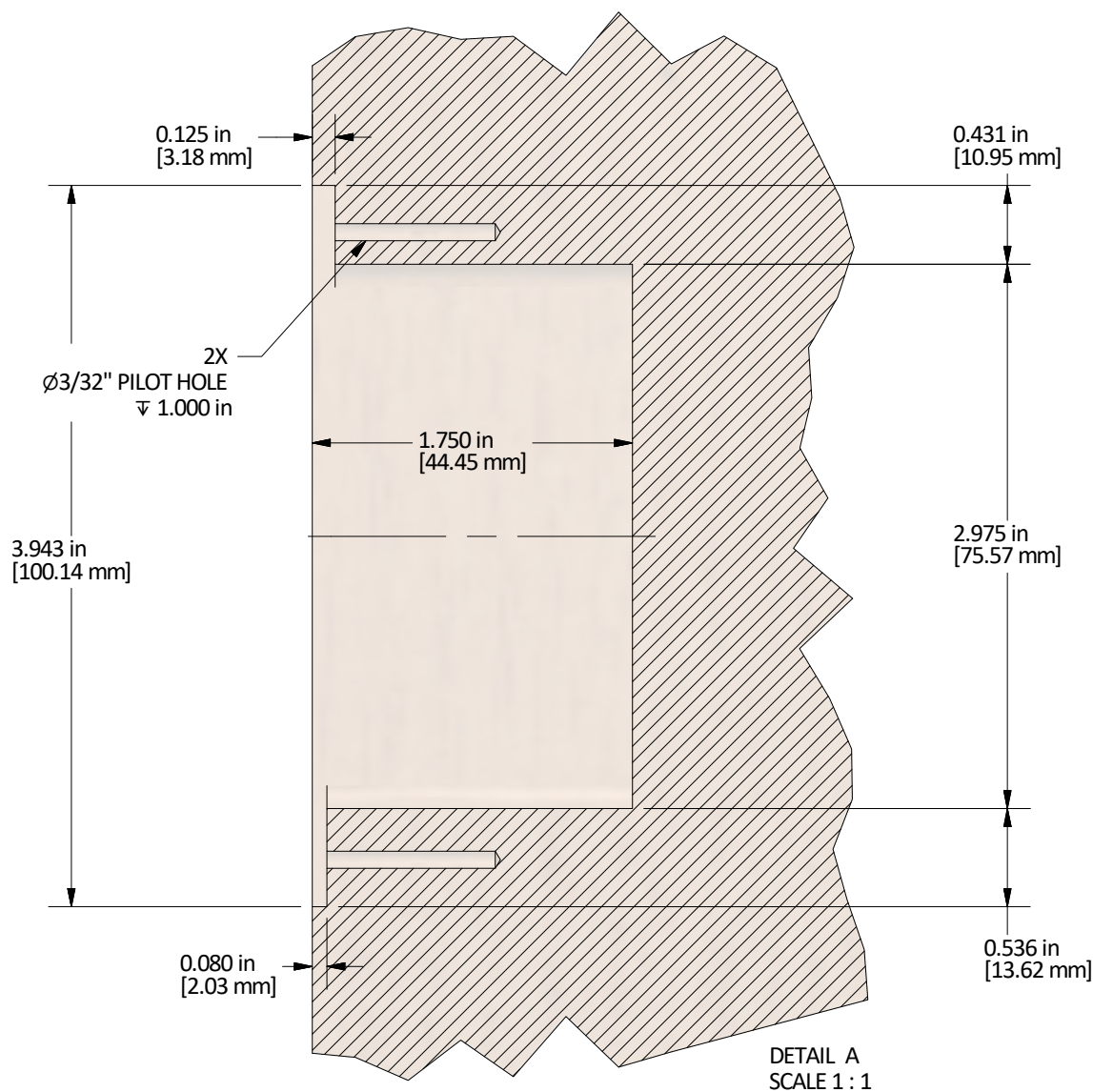
SCALE:

DWG N°:

THIS DRAWING IS THE PROPERTY OF K.N. CROWDER MFG. INC. AND IS SUBJECT TO RETURN UPON DEMAND. IT MUST NOT BE TRACED, COPIED, OR REPRODUCED IN ANY MANNER, NOR SUBMITTED TO ANY OUTSIDE PARTIES FOR EXAMINATION WITHOUT OUR CONSENT.



1220 BURLOAK DRIVE
 BURLINGTON, ONTARIO, L7L 6B3
 TOLL FREE PHONE:
 1-866-999-1KNC (1562)
 TOLL FREE FAX:
 1-800-567-0123
 www.kncrowder.com



PRODUCT: C-21 EDGE PULL DOOR PREP DETAILS OPTION 2

CUSTOMER:

PROJECT:

DRAWN BY: G.PARON

DATE: MARCH 2018

SCALE:

DWG N°:

THIS DRAWING IS THE PROPERTY OF K.N. CROWDER MFG. INC. AND IS SUBJECT TO RETURN UPON DEMAND. IT MUST NOT BE TRACED, COPIED, OR REPRODUCED IN ANY MANNER, NOR SUBMITTED TO ANY OUTSIDE PARTIES FOR EXAMINATION WITHOUT OUR CONSENT.

KNC
K.N.CROWDER MFG. INC.

1220 BURLOAK DRIVE
BURLINGTON, ONTARIO, L7L 6B3
TOLL FREE PHONE:
1-866-999-1KNC (1562)
TOLL FREE FAX:
1-800-567-0123
www.kncrowder.com