

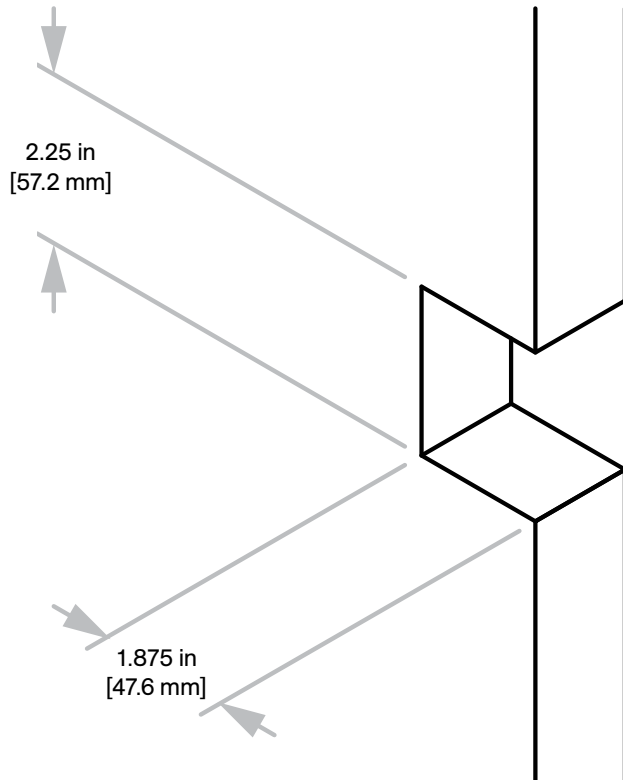
# C-30 Privacy Lockset/C-40 Passage Pull

Installation Instructions

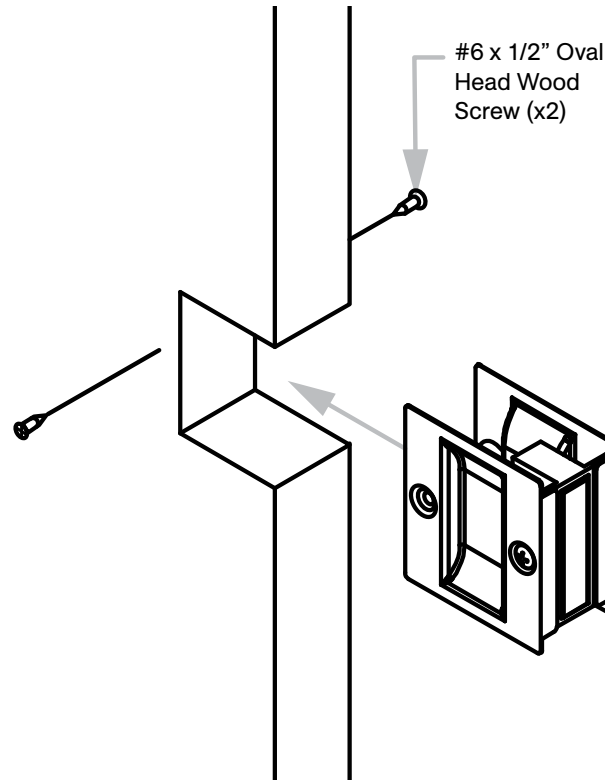
**KNC**  
Door Locks & Pulls

Not to scale

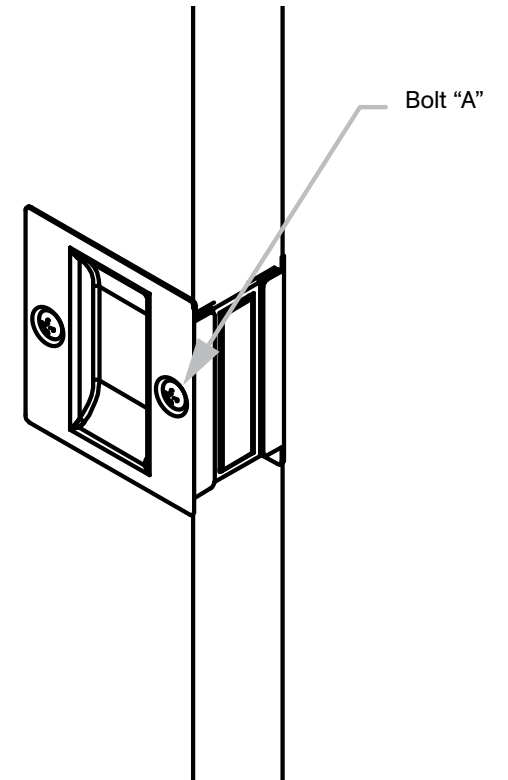
**Step #1:**  
Cut notch in door as shown above.



**Step #2:**  
Slip pull into position as shown.



**Step #3:**  
Bolt "A", one per side, adjusts width of pull and tightens pull on door. Install wood screws from step 2 after adjusting each bolt "A".



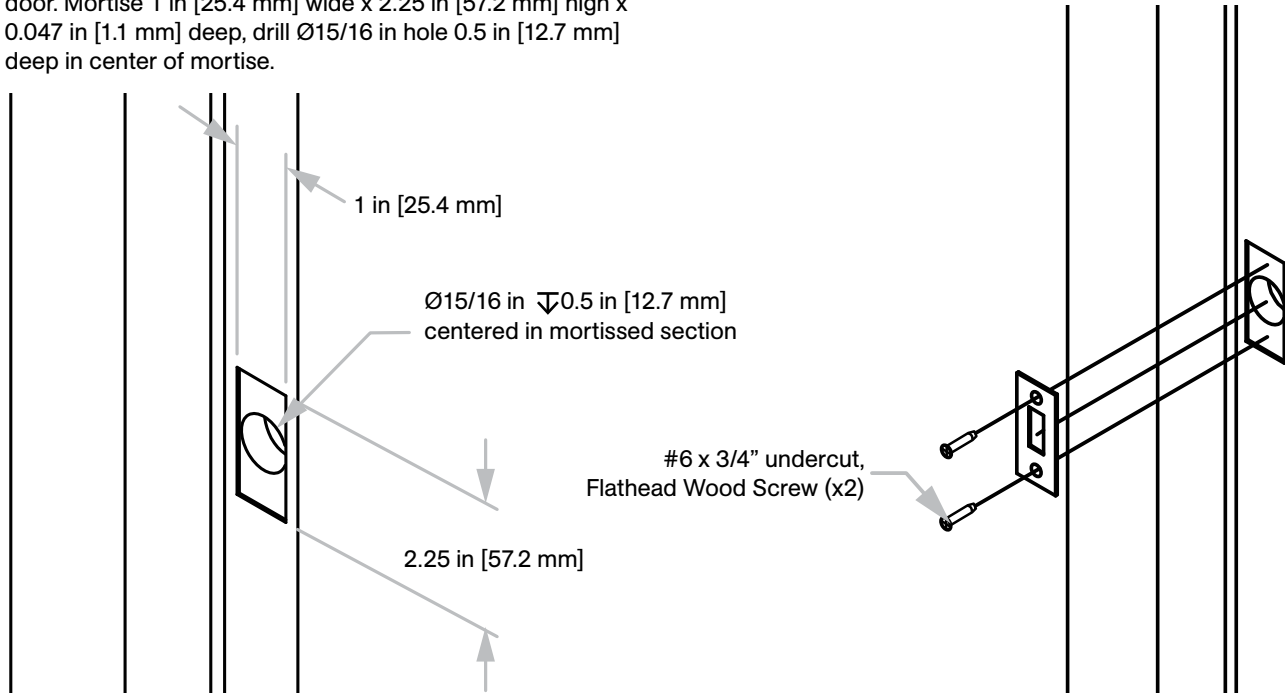
# C-30 Strike Prep

## Step #1:

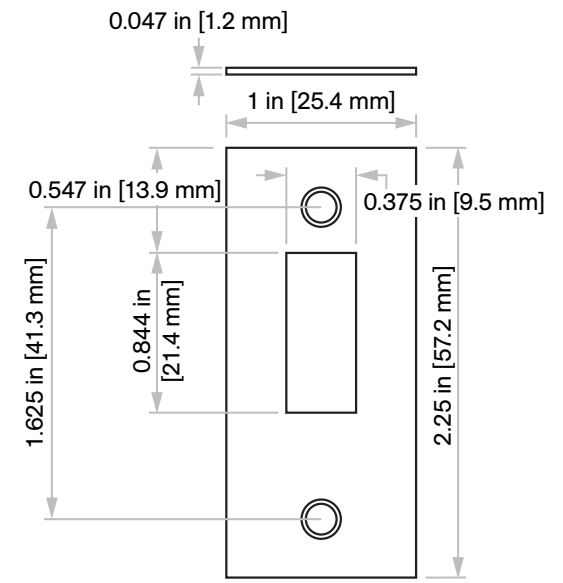
Mark and mortise strike on jamb to match lock position on door. Mortise 1 in [25.4 mm] wide x 2.25 in [57.2 mm] high x 0.047 in [1.1 mm] deep, drill  $\varnothing 15/16$  in hole 0.5 in [12.7 mm] deep in center of mortise.

## Step #2:

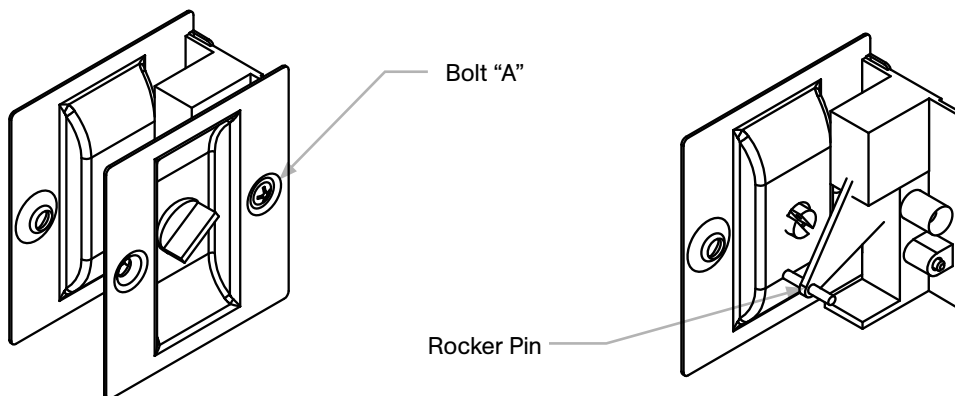
Install strike plate as shown below.



## Strike details



## Assemble after reversing plates



Plates can be reversed to match required orientation. Unscrew both bolts "A" to remove plates. Reverse and reattached. Be sure to engage fork arm with rocker pin before reinstalling bolts.