

C-50FP Pocket Privacy Lockset

Barrier-Free (ADA Compliant)

Installation Instructions

Suitable for 4.5 in [114.3 mm] - 10 in [254 mm] frame - see chart A
Door must be aligned to middle of jamb/pocket

Not to scale

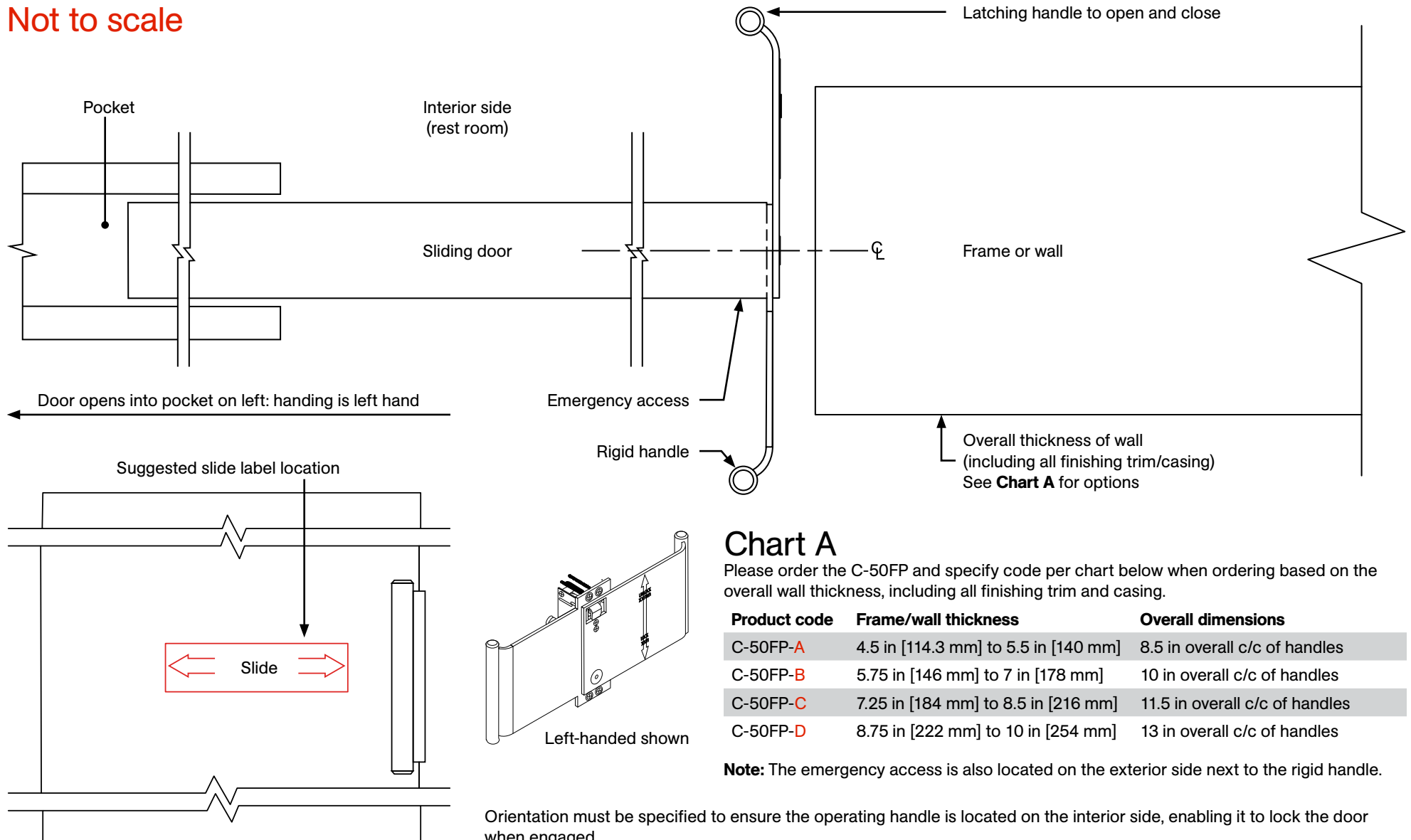


Chart A

Please order the C-50FP and specify code per chart below when ordering based on the overall wall thickness, including all finishing trim and casing.

Product code	Frame/wall thickness	Overall dimensions
C-50FP-A	4.5 in [114.3 mm] to 5.5 in [140 mm]	8.5 in overall c/c of handles
C-50FP-B	5.75 in [146 mm] to 7 in [178 mm]	10 in overall c/c of handles
C-50FP-C	7.25 in [184 mm] to 8.5 in [216 mm]	11.5 in overall c/c of handles
C-50FP-D	8.75 in [222 mm] to 10 in [254 mm]	13 in overall c/c of handles

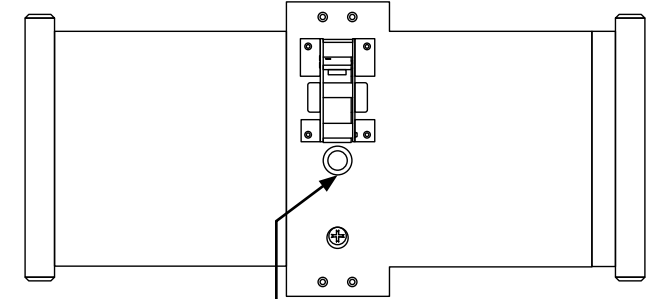
Note: The emergency access is also located on the exterior side next to the rigid handle.

Orientation must be specified to ensure the operating handle is located on the interior side, enabling it to lock the door when engaged.

Installation Steps

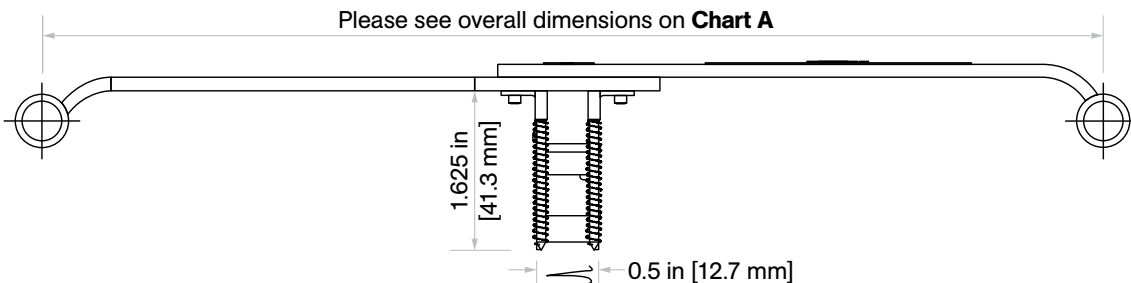
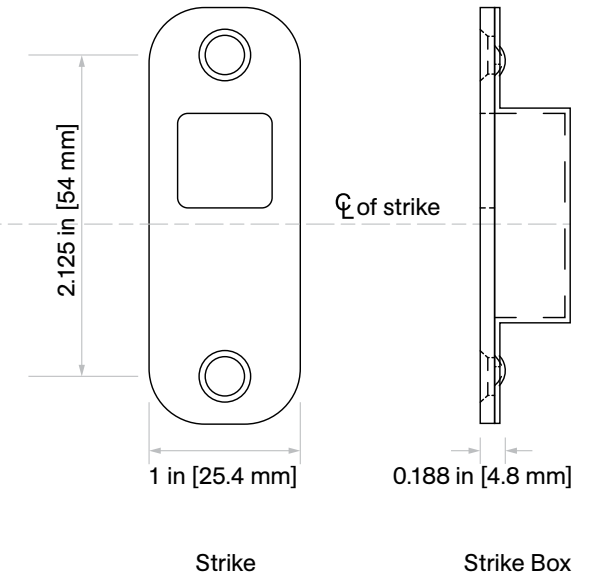
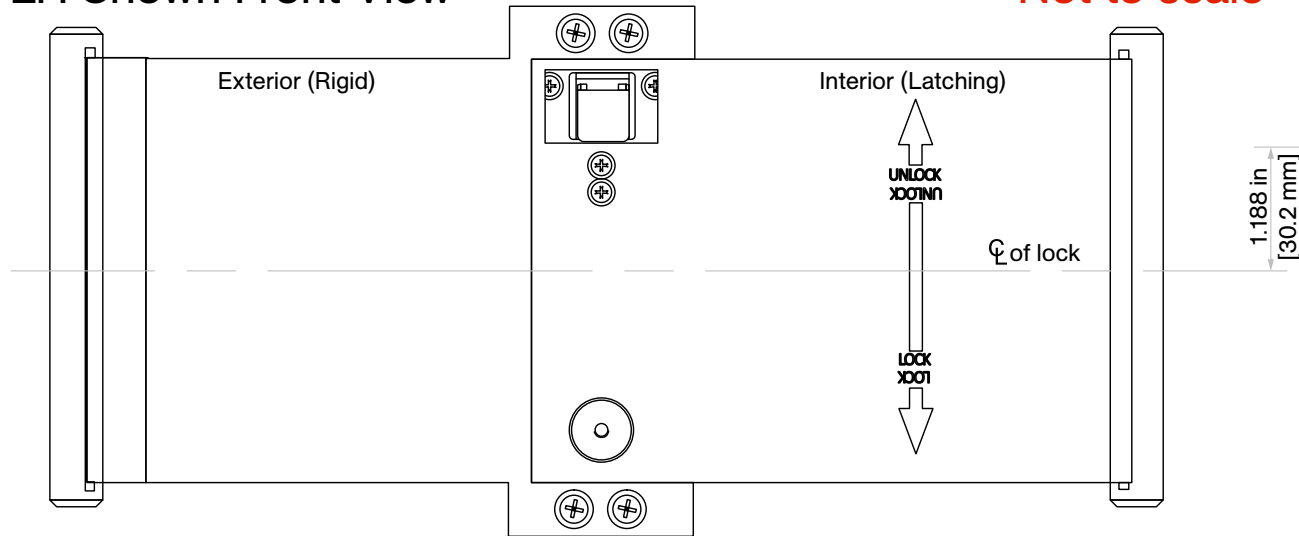
1. Our standard C-50FP assembly will work with a frame/wall of up to 5.5 in [139.7 mm] width - see [Chart A](#)
2. To determine handing for C-50FP, please see [Handing Chart](#)
3. To adjust resistance to lock/unlock:
 - a. Turn set-screw cw - use 3/16 in hex key (allen wrench) to increase resistance to lock/unlock
 - b. Turn set-screw ccw - use 3/16 in hex key (allen wrench) to decrease resistance to lock/unlock
4. Prepare door and frame as indicated on page 3, strike preparation is same
5. Insert door pull and install using supplied quantity four (4) #8 x 1-5/8" Flat Head PH drywall screws
6. Install strike using supplied (2) #8 x 3/4" Flat Head WS then test unit
7. Install lock/unlock decal and slide decals as shown on pages 1 and 2
8. For emergency access, please see page 4

LH Shown Back View



Refer to note 3 to adjust lock/unlock resistance

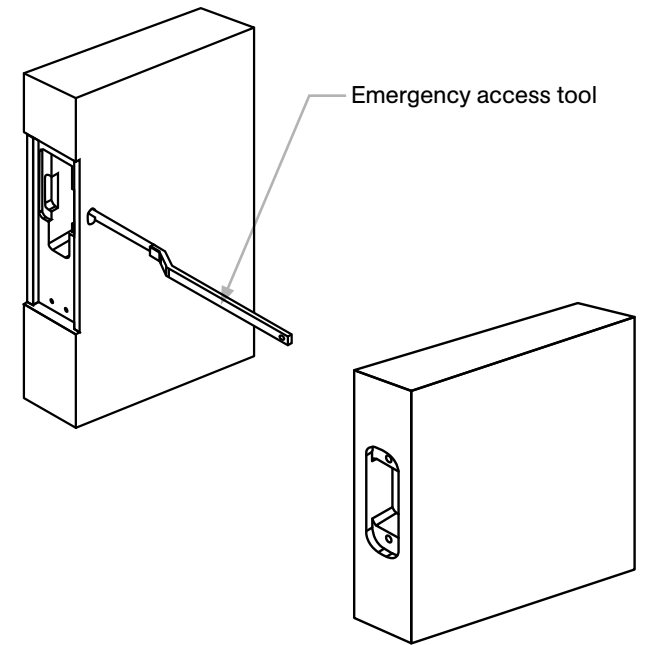
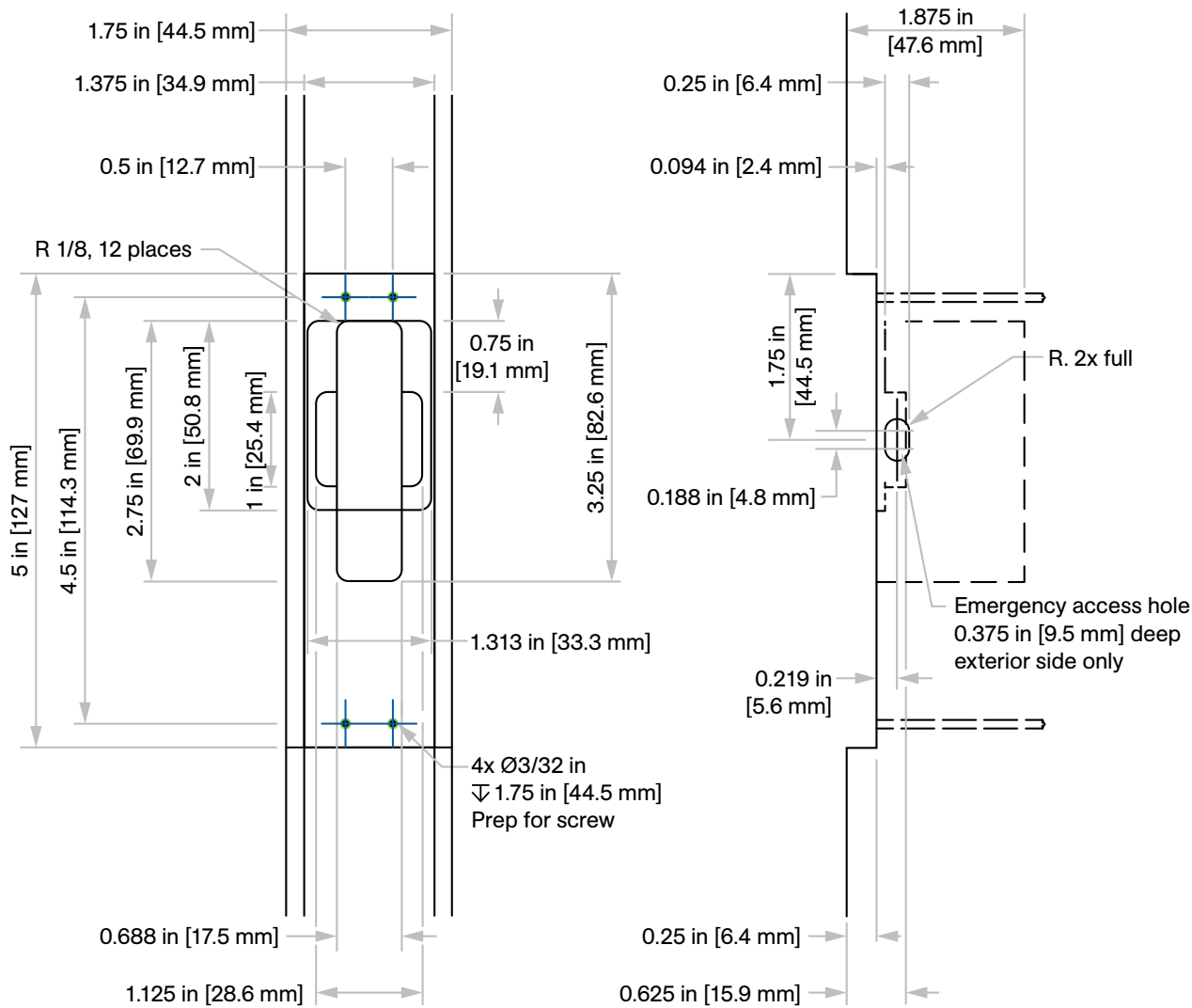
LH Shown Front View



Door Prep Details

For 1 3/8 in [34.9 mm] to 1 3/4 in [44.5 mm] doors

Not to scale



Strike Prep in Wood Frame

