

C-54BL Barn Door Privacy Lockset

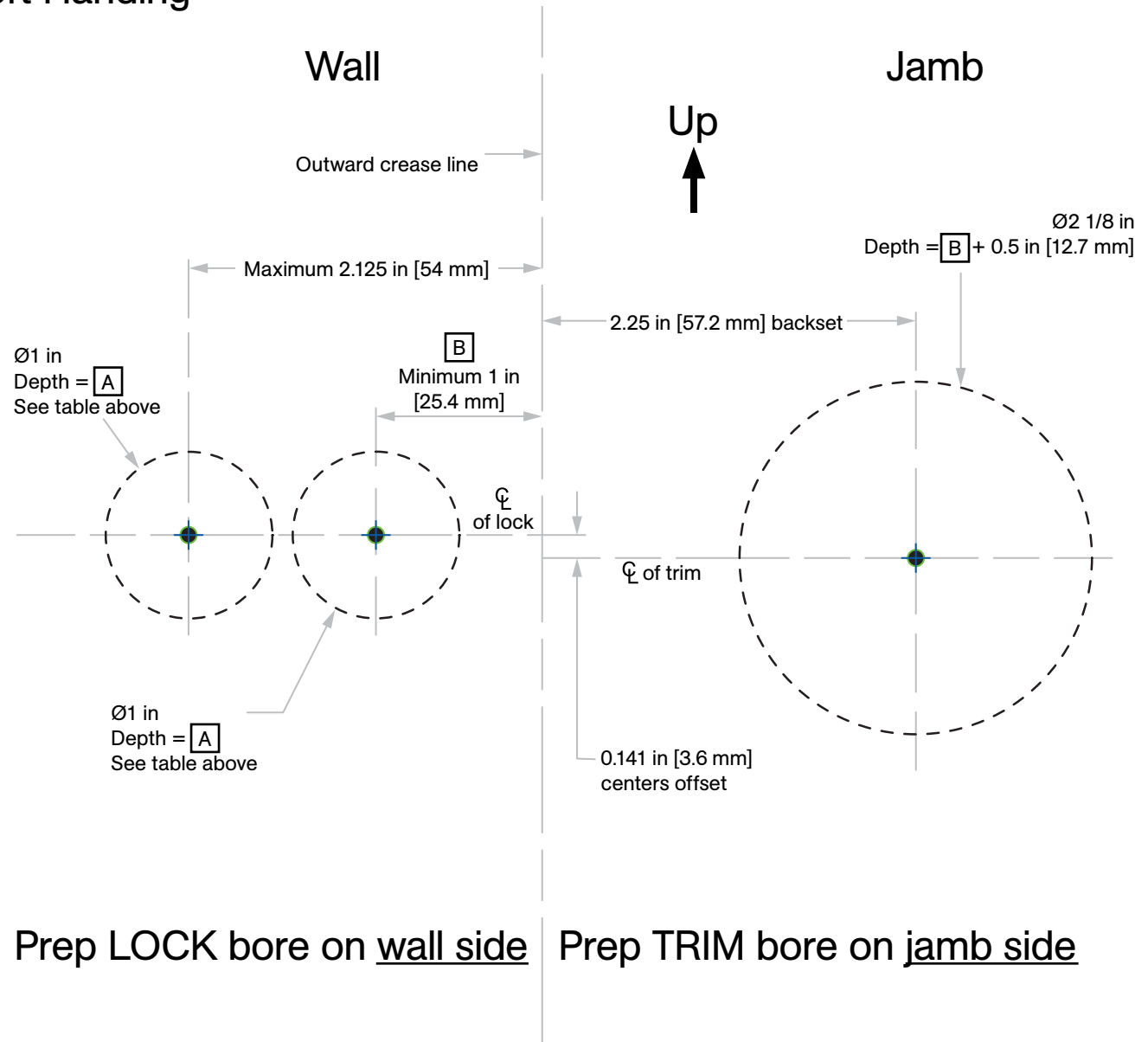
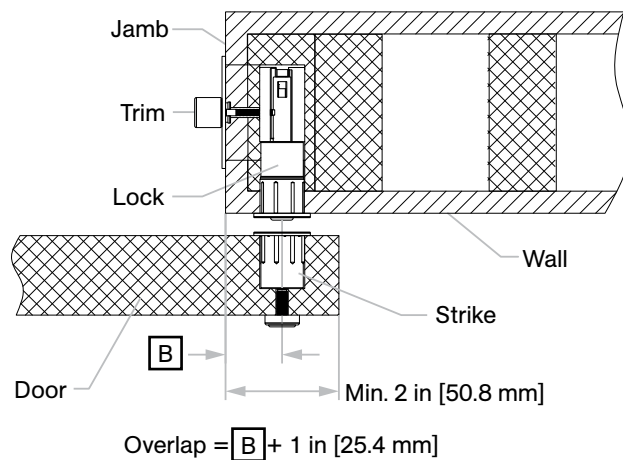
Barrier-Free (ADA Compliant) Left Handing

Door and Wall Prep Template

Part No.	Backset	A	Min. Wall Thickness
C-54BL	2.25 in [57.2 mm]	3.5 in [88.9 mm]	4.5 in [114.3 mm]

B represents the distance from the edge of wall to center of lock bore

For opposite hand, please see reverse side.

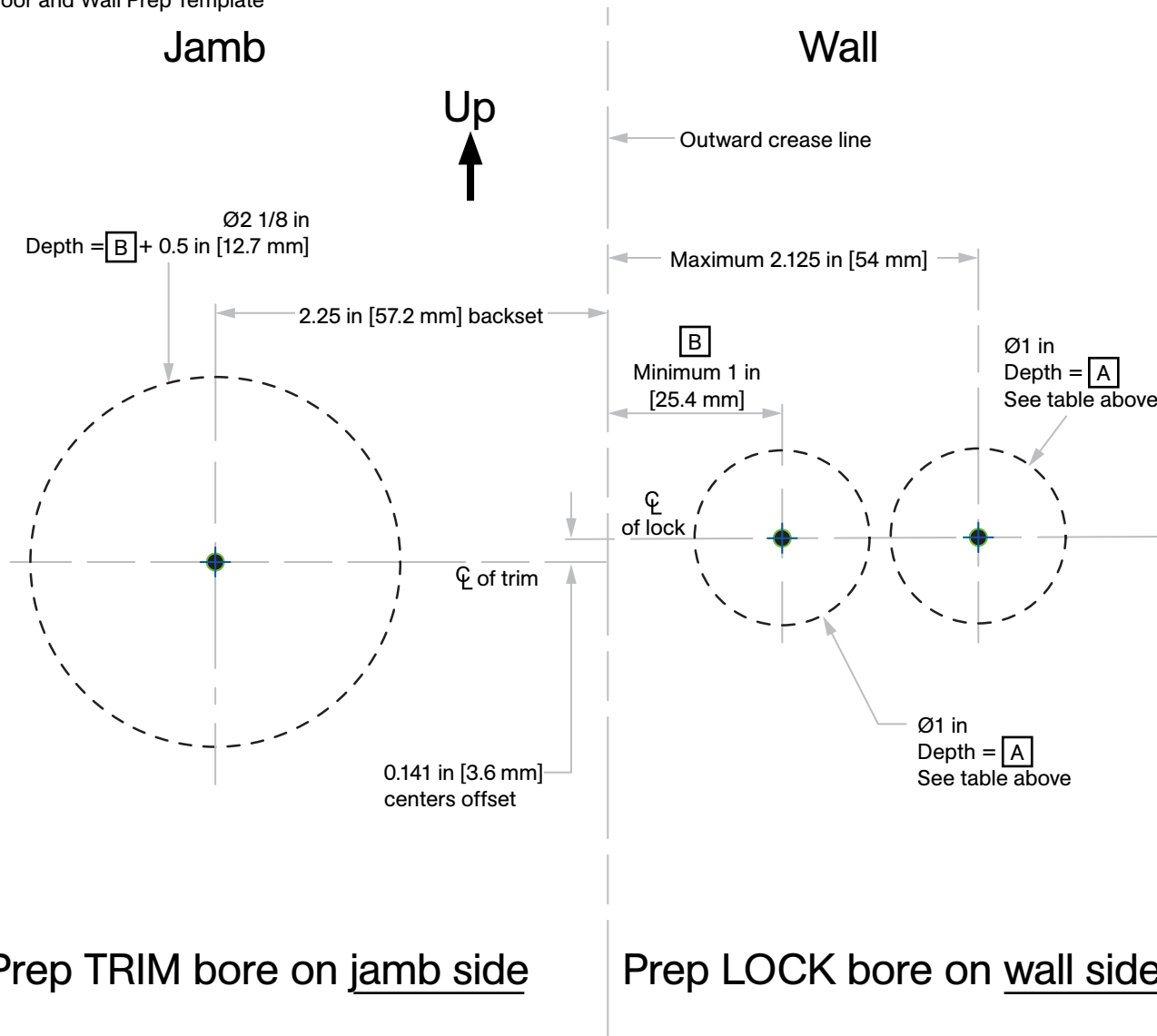


Template dimensions do not provide allowances for gaps between wall studs and drywall. Refer to installation instructions for more details.

C-54BL Barn Door Privacy Lockset

Barrier-Free (ADA Compliant) Right Handing

Door and Wall Prep Template



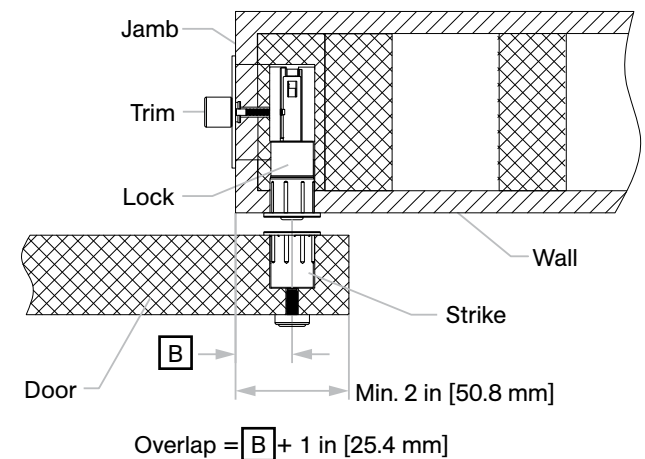
Prep TRIM bore on jamb side

Prep LOCK bore on wall side

Part No.	Backset	A	Min. Wall Thickness
C-54BL	2.25 in [57.2 mm]	3.5 in [88.9 mm]	4.5 in [114.3 mm]

B represents the distance from the edge of wall to center of lock bore

For opposite hand, please see reverse side.



Template dimensions do not provide allowances for gaps between wall studs and drywall.
Refer to installation instructions for more details.

KN Crowder

1220 Burloak Drive, Burlington, Ontario, Canada, L7L 6B3
T. 1-866-999-1562 customerservice@kncrowder.com kncrowder.com
© 2020-2026 K.N. Crowder Mfg. Inc. All Rights Reserved.