

C-61 Edge Pull

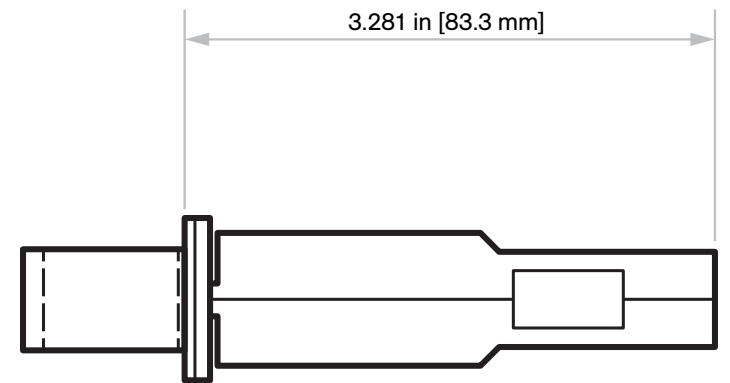
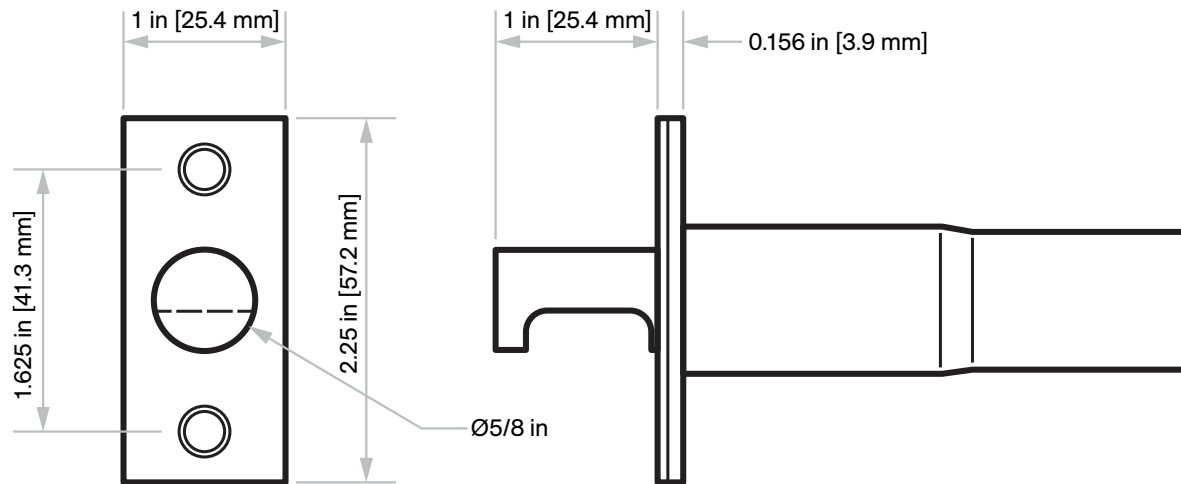
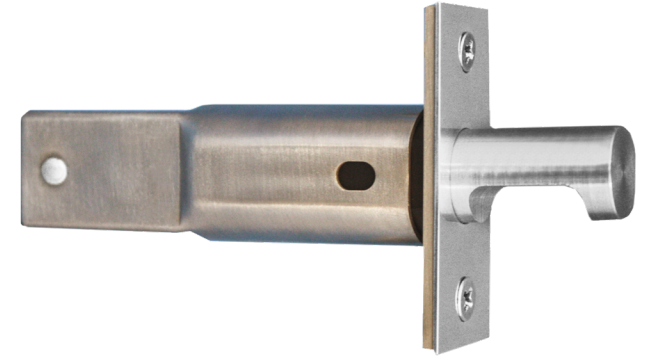
Installation Instructions

Spring Loaded Edge Pull

Can be used with a privacy set

Door Thickness: 1 3/8 in [34.9 mm] to 1 3/4 in [44.5 mm]

Not to scale



C-62L-SET Privacy Lockset

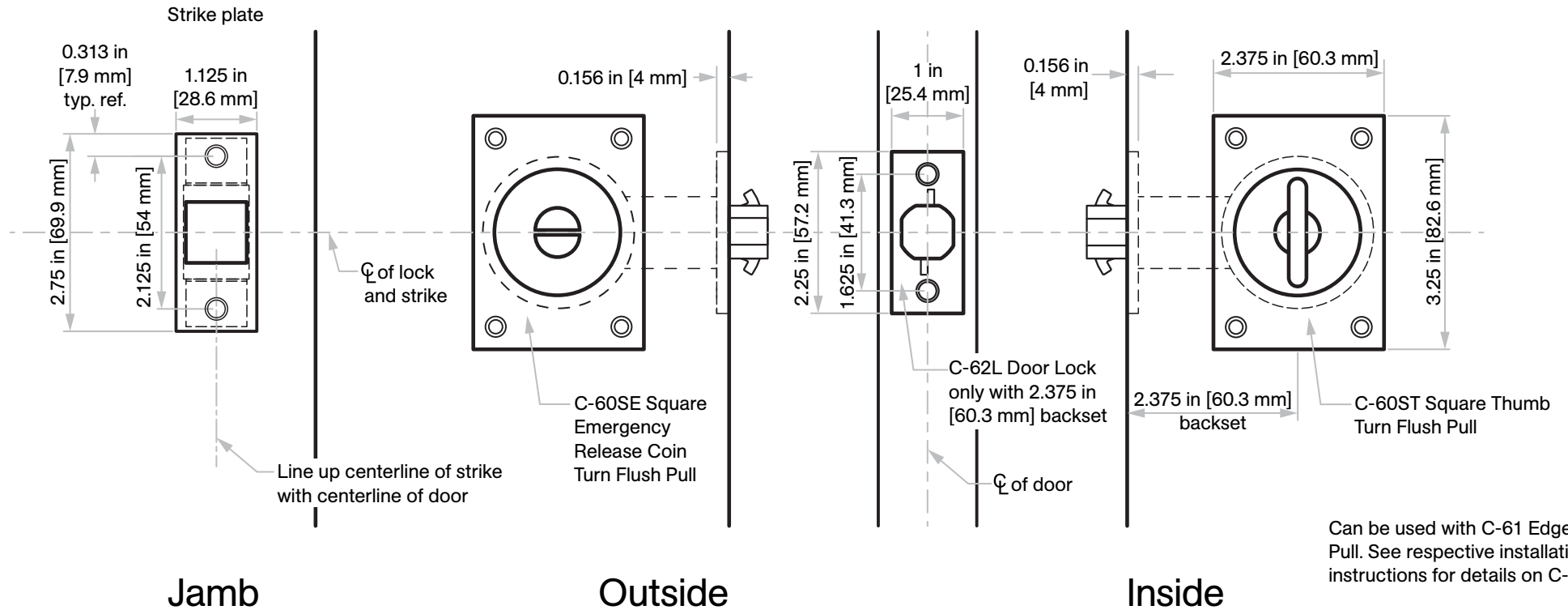
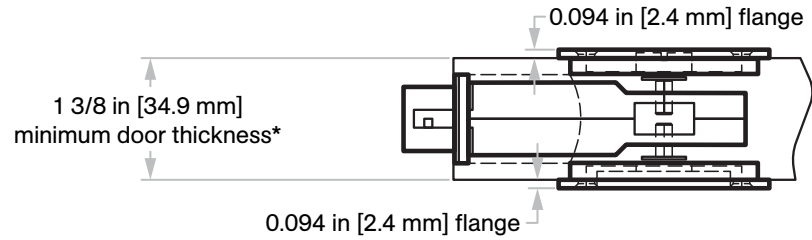
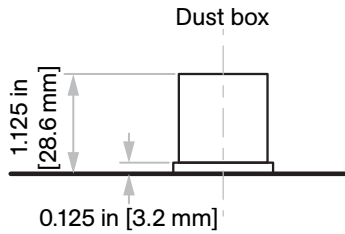
Installation Instructions

Not to scale

Door Thickness: 1 3/8 in [34.9 mm]* to 1 3/4 in [44.5 mm] doors

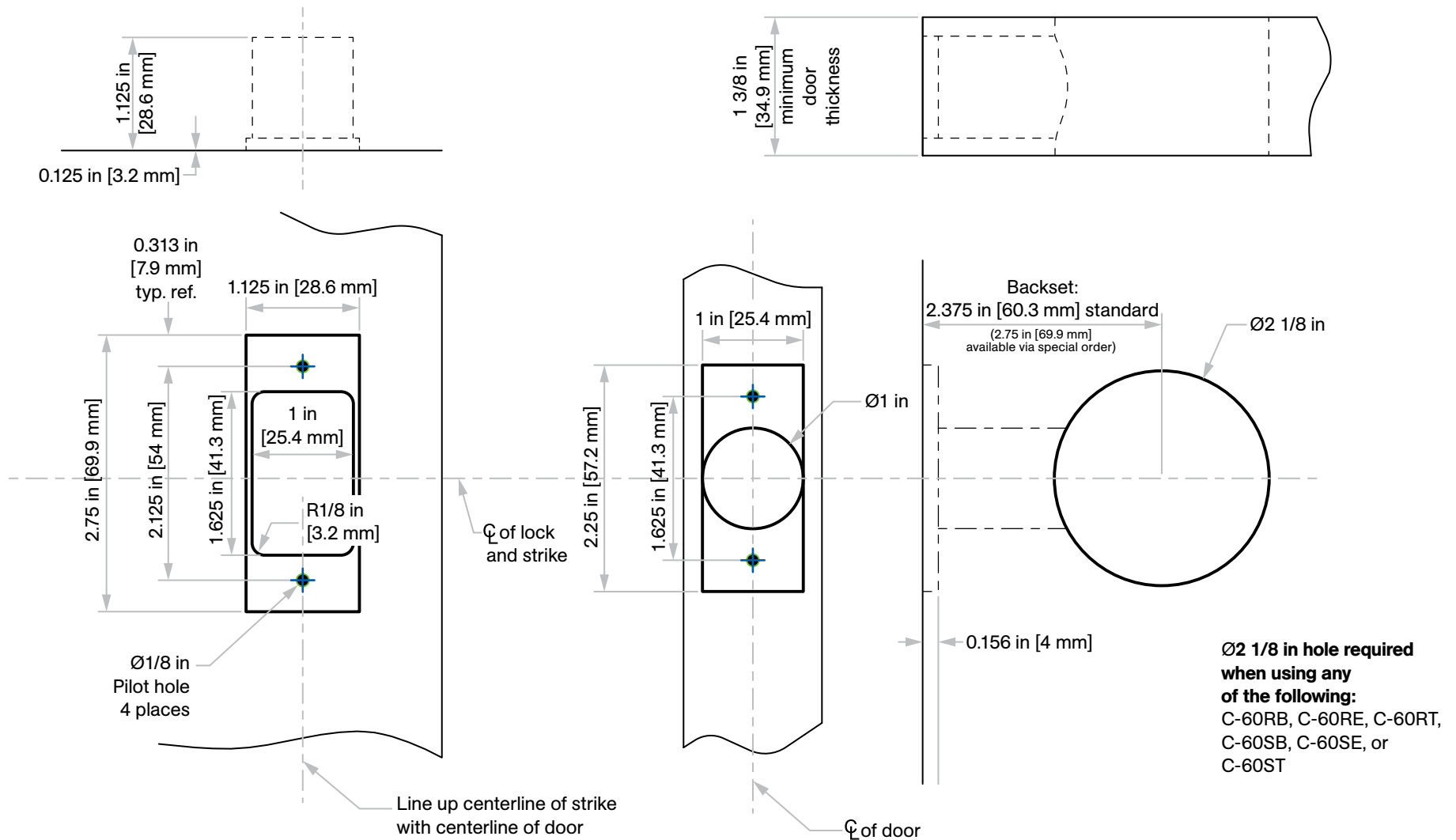
For other door thicknesses, please contact Customer Service.

*To use the C-60SE and C60ST Flush Pulls on a 1 3/8 in [34.9 mm] thick door, the thru-bolted post on each flush pull are supplied with a notch that allows for shortening its length for 1 3/8 in [34.9 mm] thick doors. Twist off or cut with hack saw.



Door Prep Template

Not to scale



Responsibility

Door and frame manufacturers are responsible for providing adequate construction or reinforcement for proper installation of hardware shown.

Installation

Install C-62L Lock Body, strike plate, C-60SE, and C-60ST using twelve (12) #8 screws provided.