

C-61-RBB Passage Set

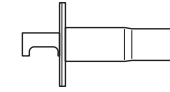
Installation Instructions

Specifications

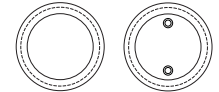
Door Thickness: 1 3/8 in [34.9 mm] minimum

Not to scale

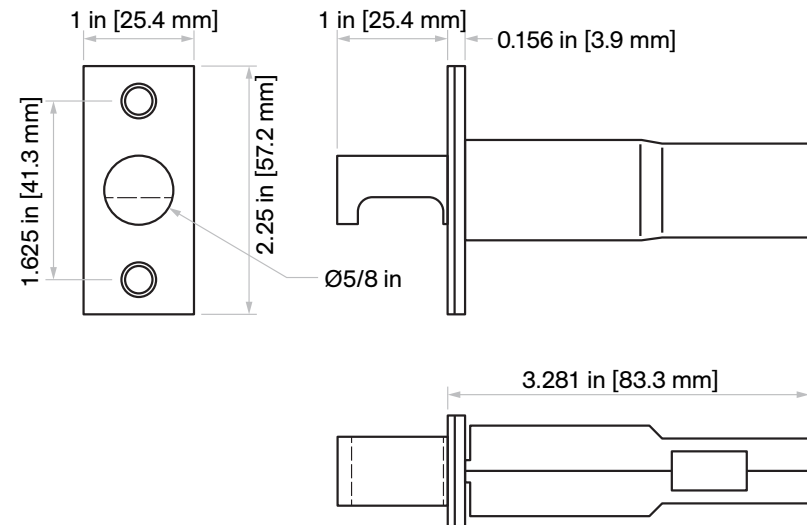
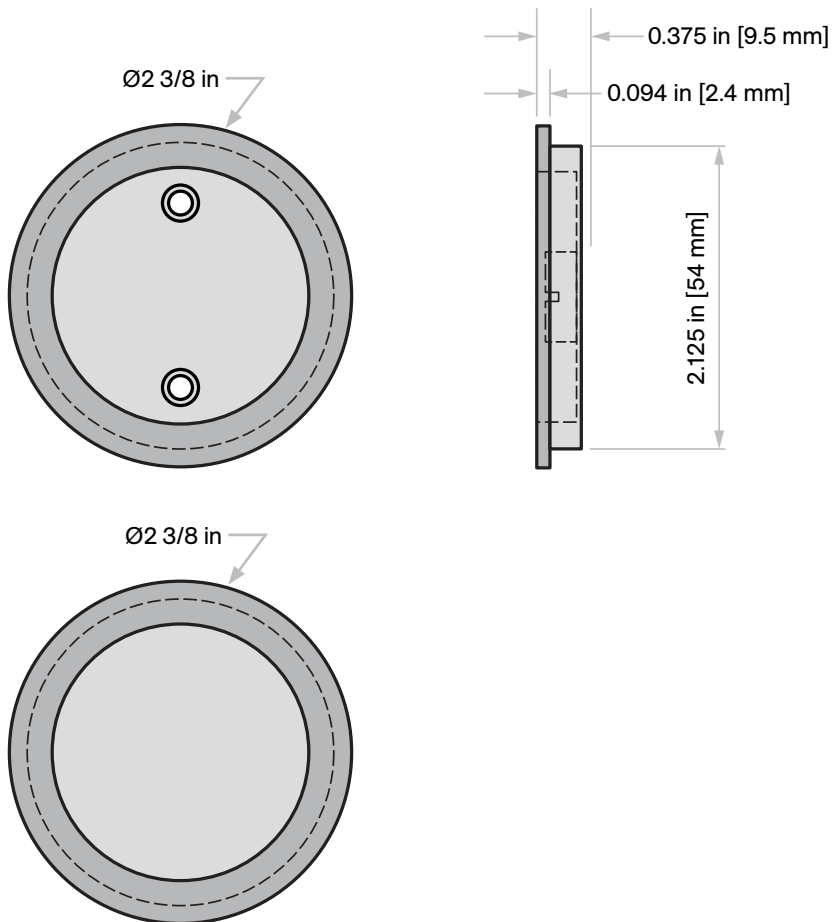
Included Components



C-61
Edge Pull Body



C-60RB Pair
Blank Flush Pull



Door Prep Template

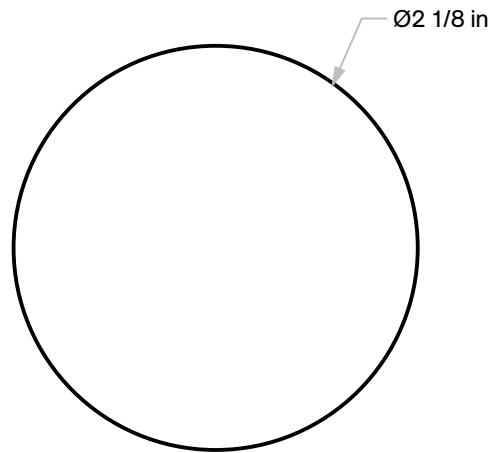
Horizontal and vertical spacing of the flush pulls is up to the end user. However, we do suggest to line up the backset with the other locks on your project.

For example: 2 in [50.8 mm], 2.5 in [63.5 mm], 2.75 in [69.8 mm], 5 in [127 mm], and 6 in [152.4 mm]

Responsibility

Door and frame manufacturers are responsible for providing adequate construction or reinforcement for proper installation of hardware shown.

C-60RB



C-61

