

# C-62L-SET Lockset

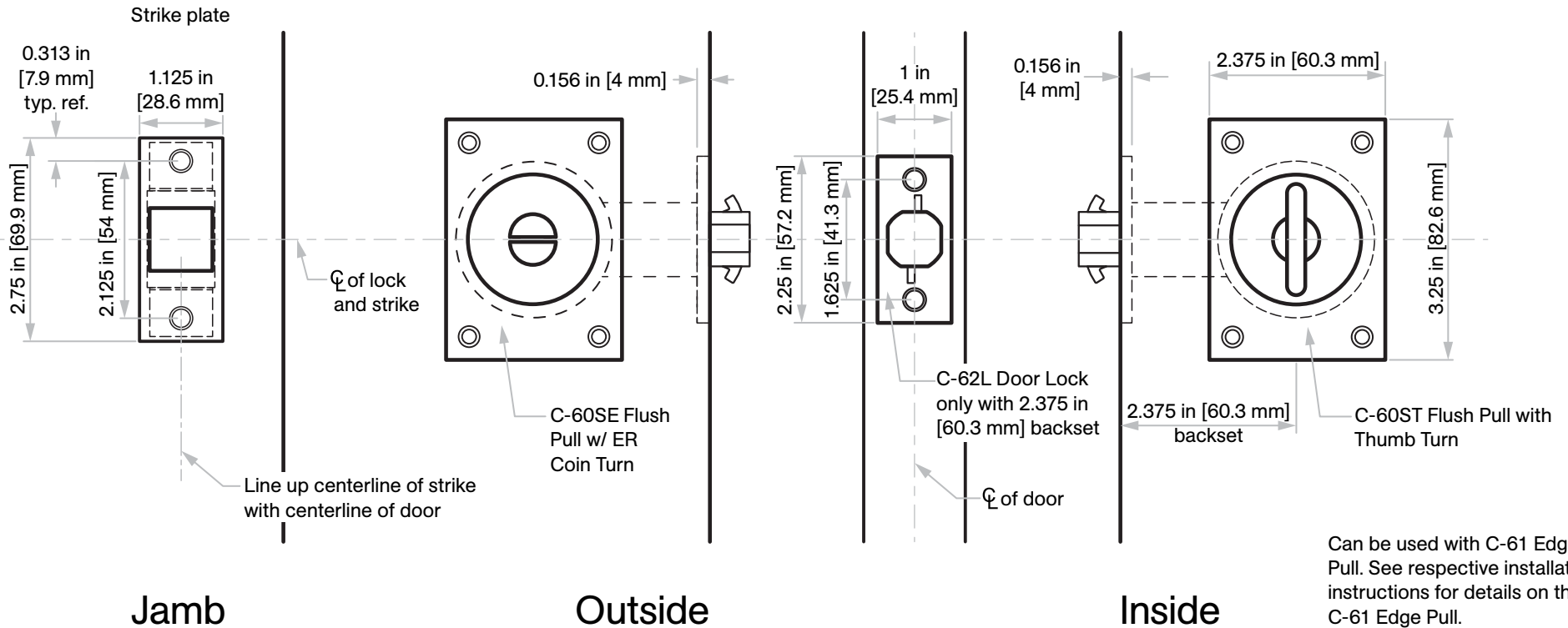
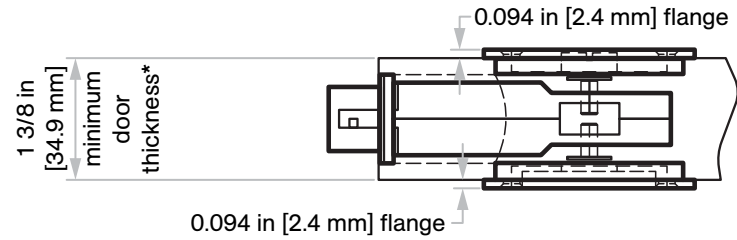
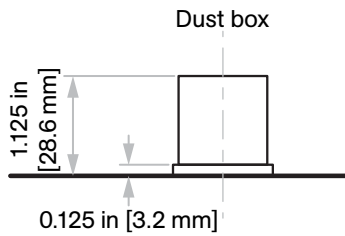
## c/w C-60SE & C-60ST Square Flush Pulls

Installation Instructions

**Not to scale**

**Suitable for 1 3/8 in [34.9 mm]\* and 1 3/4 in [44.4 mm] thick doors**

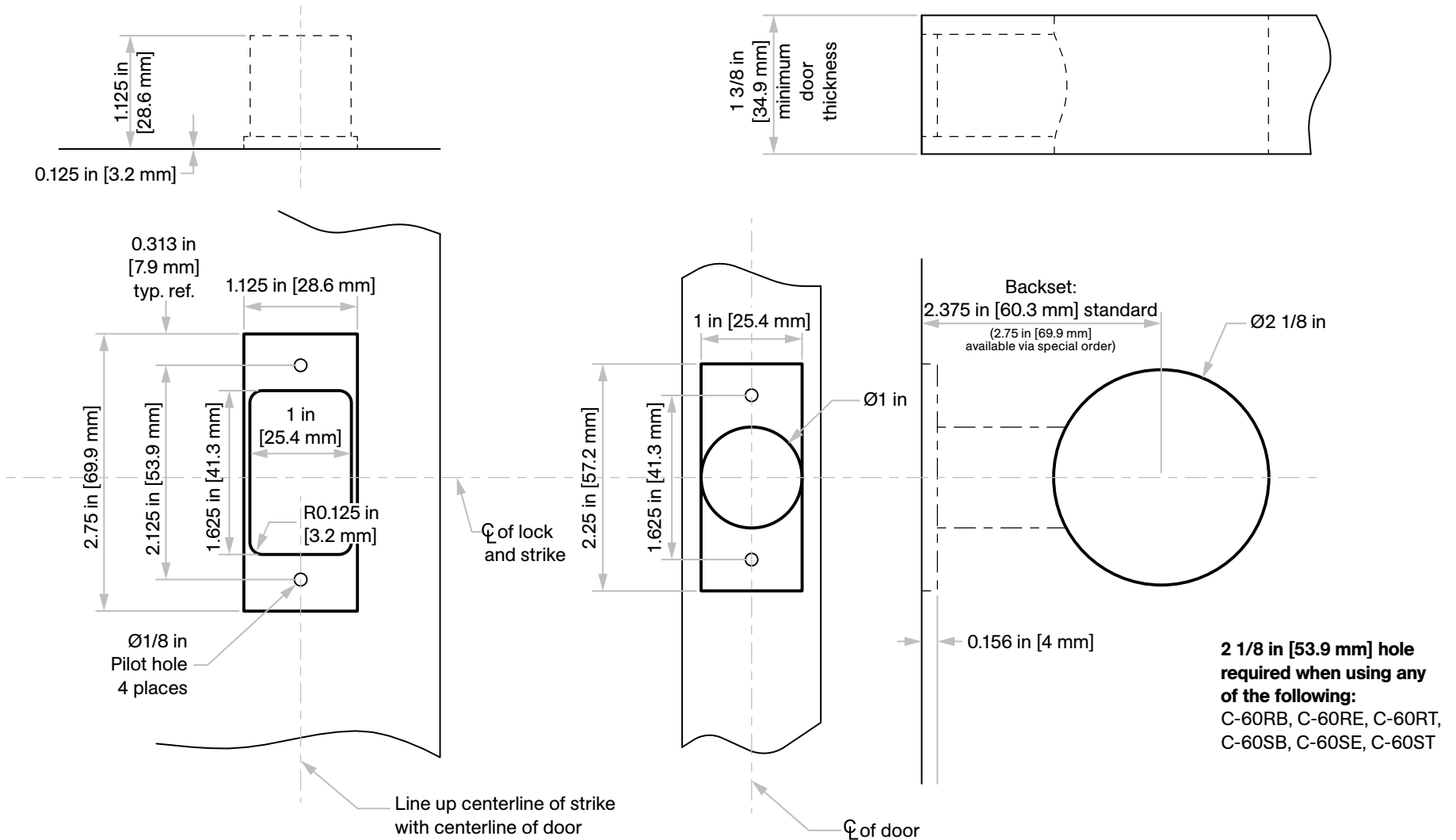
For other door thicknesses, please contact Customer Service. \*To use the C-60SE & C60ST flush pulls on a 1 3/8 in [34.9 mm] thick door, the thru-bolted post on each flush pull are supplied with a notch that allows for shortening its length for 1 3/8 in [34.9 mm] thick doors. Twist off or cut with hack saw.



Can be used with C-61 Edge Pull. See respective installation instructions for details on the C-61 Edge Pull.

# Door Prep Template

Not to scale



## Responsibility:

Door and frame manufacturers are responsible for providing adequate construction or reinforcement for proper installation of hardware shown.

## Installation:

Install C-62L Lock & Strike plate, and C-60SE & C-60ST using the (12) #8 screws provided.