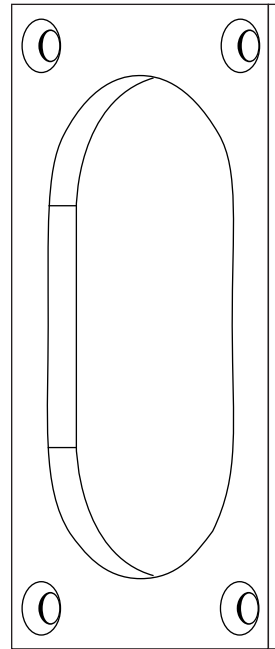
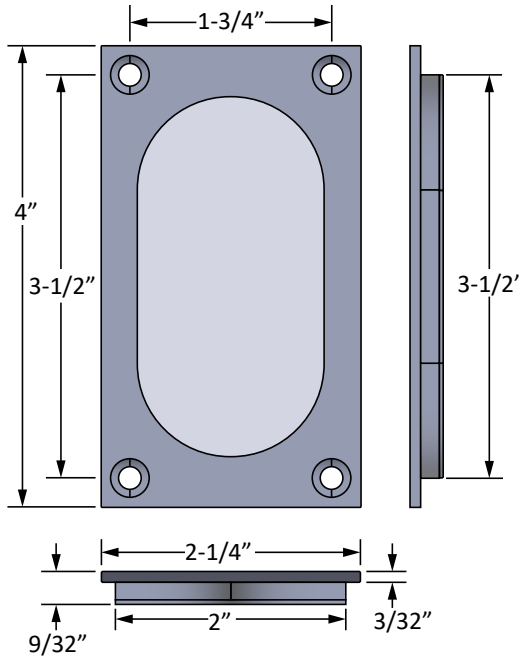
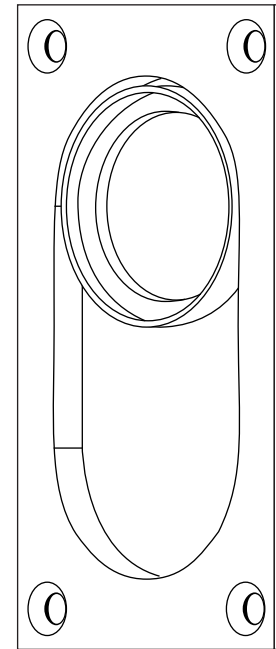


SPECIFICATIONS:

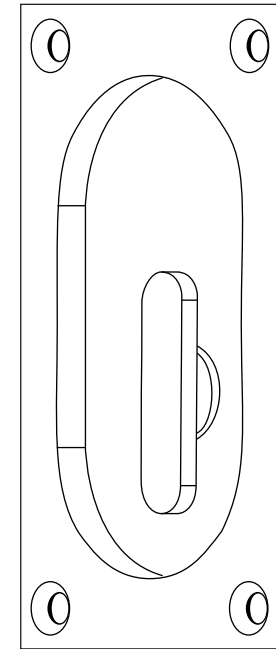
MATERIAL: SOLID BRASS OR BRONZE
FINISH: AS REQUIRED



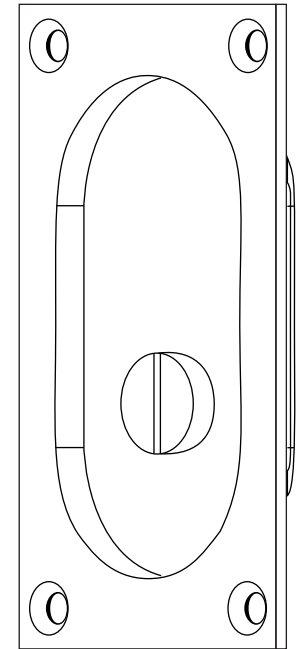
C-80B
BLANK FLUSH
PULL



C-80C
CYLINDER HOLE
FLUSH PULL



C-80T
THUMB TURN
FLUSH PULL



C-80E
EMERGENCY COIN
TURN FLUSH PULL

**FOR C-80B BLANK FLUSH PULL SINGLE USE,
DOOR PREP SHOULD BE AS FOLLOWS:
2.031" WIDE X 3.531" HIGH X 0.375" DEEP
WITH CORNERS AT 0.75" OR 1" RADIUS**

**FOR DOOR PREP DETAILS, PLEASE REVIEW SPECIFIC LOCK/PULL SET
TEMPLATES FOR DETAILS.**

NOT TO SCALE