

C-80 Series Flush Pull Options

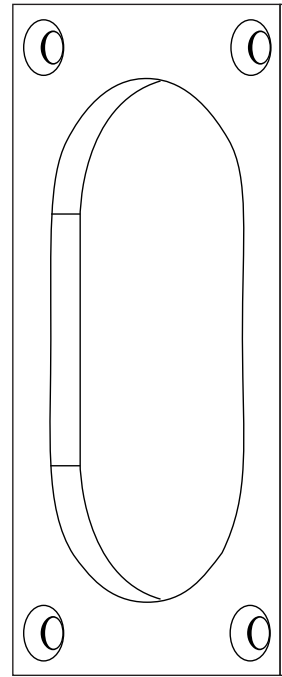
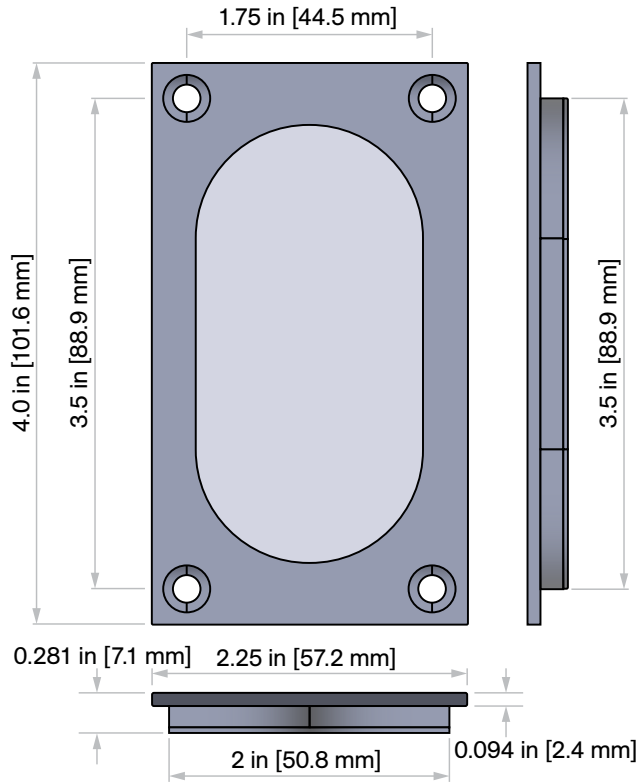
Product Detail

Specifications:

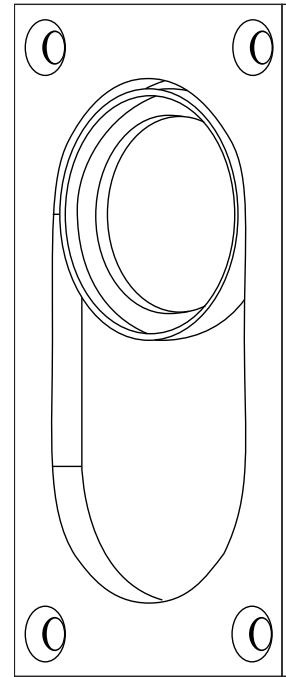
Material: Solid brass or bronze

Finish: As required

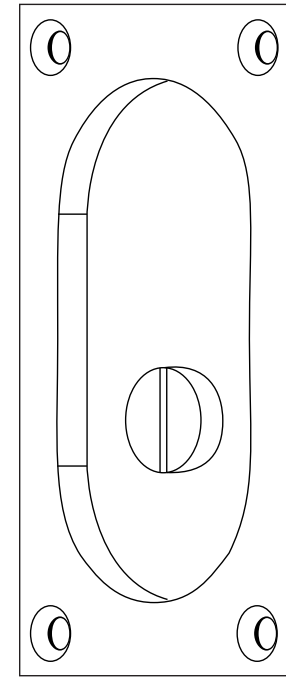
Not to scale



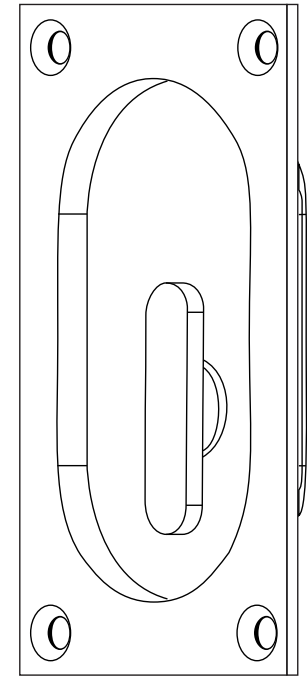
C-80B
Blank Flush Pull



C-80C
Cylinder Hole Flush Pull



C-80E
Emergency Coin Turn
Flush Pull



C-80T
Thumb Turn Flush Pull

For C-80B Blank Flush Pull single use, door prep should be as follows:

2.031 in wide x 3.531 in high x 0.375 in deep with corners at 0.75 in or 1 in radius
[51.6 mm wide x 89.7 mm high x 9.5 mm deep with corners at 19.1 mm or 25.4 mm radius]

Door prep details

Review specific lock/pull set templates for details