

C-810 ZERO CLEARANCE HANGER

INSTRUCTION SHEET



K. N. CROWDER'S C-810 ZERO CLEARANCE HANGER PERMITS A MINIMAL GAP BETWEEN DOOR AND UNDERSIDE OF TRACK OF 3/16"!

HANGER CARRIAGE ASSEMBLY IS MACHINED STEEL THUS ALLOWING THE LOAD CAPACITY OF HEAVY DOORS UP TO 300LBS!

NEW!

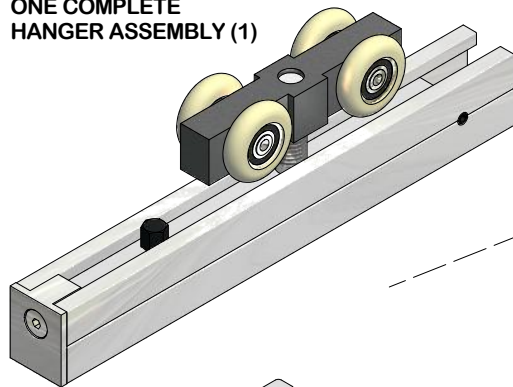
CYCLE TESTED PRECISION BALL BEARINGS. SMOOTH AND SILENT SLIDING DOORS!



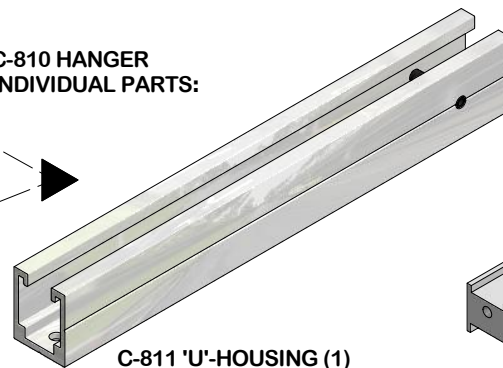
PARTS LIST (FOR ONE C-810 HANGER)

AS SHIPPED PER ONE BOX:

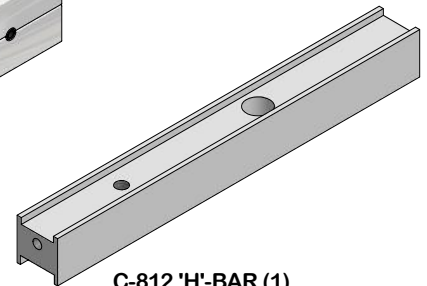
ONE COMPLETE HANGER ASSEMBLY (1)



C-810 HANGER INDIVIDUAL PARTS:

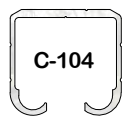


C-811 'U'-HOUSING (1)

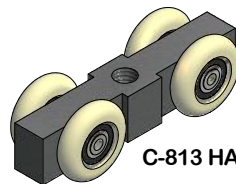


C-812 'H'-BAR (1)

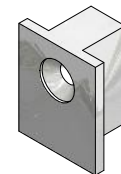
EXTRUDED ALUMINUM TRACK



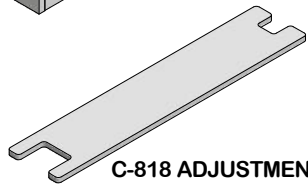
C-104



C-813 HANGER BODY (1)



C-815 END CAP (1)

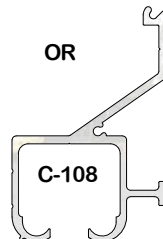


C-818 ADJUSTMENT WRENCH (1 PER 2 HANGERS)



C-819 5/32" ALLEN KEY (1 PER 2 HANGERS)

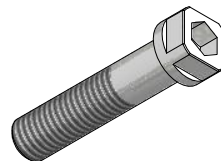
OR



C-108



#10 X 1-3/4" FLATHEAD SCREWS (5)



C-814 HANGER STUD (1)



C-816 SAFETY LOCK BOLT (1)



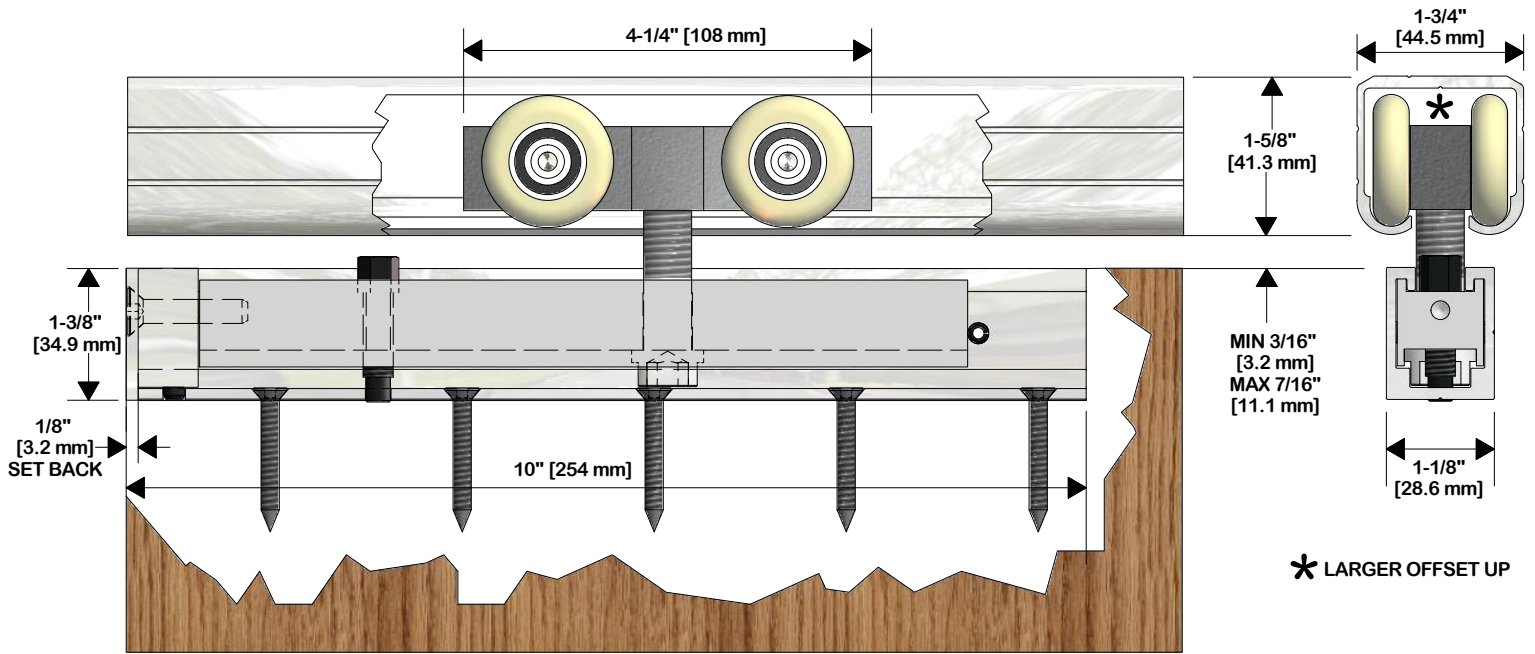
C-817 END CAP BOLT (1)



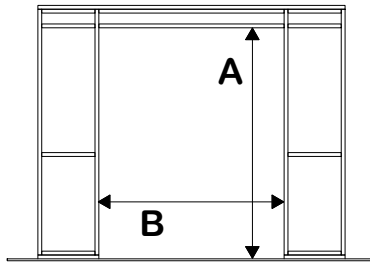
K.N. CROWDER MFG. INC.
1220 BURLOAK DRIVE
BURLINGTON, ONTARIO, CANADA, L7L 6B3
TELEPHONE: 905-315-9788 - FAX: 905-315-8090
TOLL FREE FAX: 1-800-567-0123

K.N. CROWDER INC.
210 EIGHTH STREET SOUTH
LEWISTON, NEW YORK, U.S.A. 14092
TELEPHONE: 1-716-754-8247
TOLL FREE FAX: 1-800-567-0123

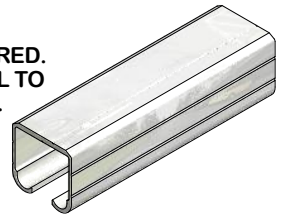
WEBSITE: www.kncrowder.com --- E-MAIL: customerservice@kncrowder.com



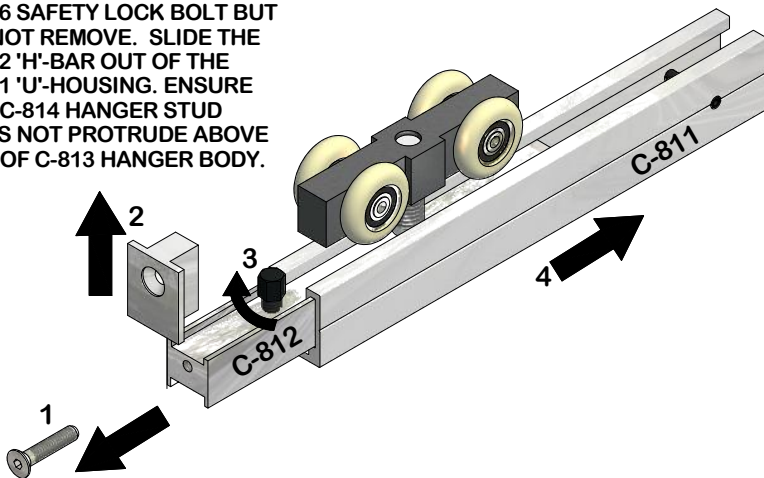
STEP 1
 DETERMINE DOOR SIZE/HEADER
 HEIGHT BASED ON DIMENSIONS
 SHOWN IN DETAIL VIEWS AND
 CLEARANCE REQUIRED BELOW DOOR.



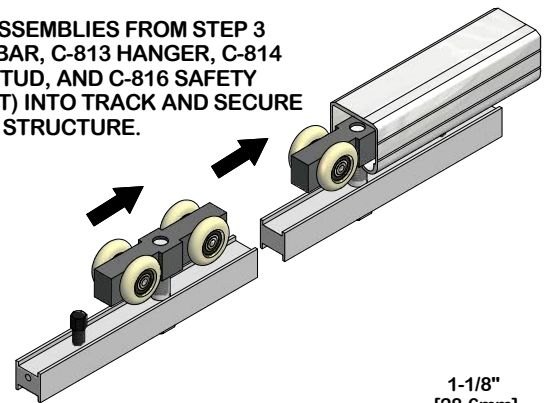
STEP 2
 CUT ALUMINUM TRACK (C-104 OR
 C-108) TO CORRECT SIZE IF REQUIRED.
 TRACK LENGTH SHOULD BE EQUAL TO
 FINISHED OPENING SIZE LESS 1/8\".



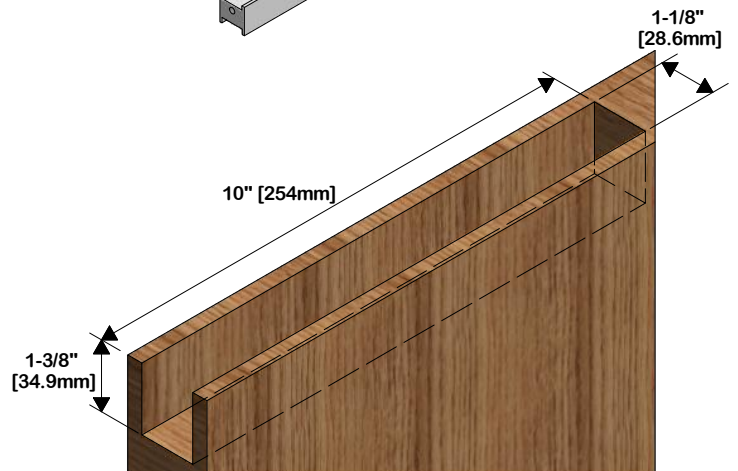
STEP 3
 DISASSEMBLE COMPLETE
 C-810 HANGER BY REMOVING
 C-817 END CAP BOLT, C-815
 END CAP. UNSCREW THE
 C-816 SAFETY LOCK BOLT BUT
 DO NOT REMOVE. SLIDE THE
 C-812 'H'-BAR OUT OF THE
 C-811 'U'-HOUSING. ENSURE
 THE C-814 HANGER STUD
 DOES NOT PROTRUDE ABOVE
 TOP OF C-813 HANGER BODY.



STEP 4
 PLACE 2 ASSEMBLIES FROM STEP 3
 (C-812 'H'-BAR, C-813 HANGER, C-814
 HANGER STUD, AND C-816 SAFETY
 LOCK BOLT) INTO TRACK AND SECURE
 TRACK TO STRUCTURE.

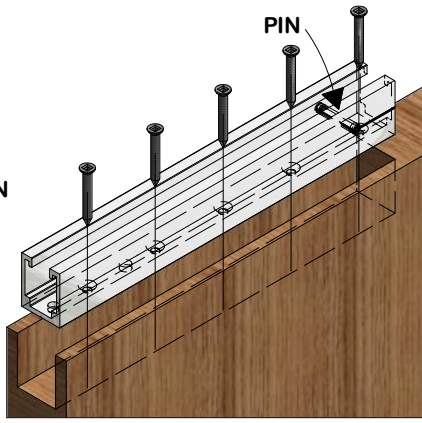


STEP 5
 PREPARE DOOR TO RECIEVE C-811
 'U'-HOUSING FLUSH WITH DOOR TOP.
 SLOT MUST BE 10" [254 mm] LONG,
 1-1/8" [28.6 mm] WIDE, AND 1-3/8" [34.9
 mm] DEEP. SEE ILLUSTRATION FOR
 MORE DETAILS.



STEP 6

PLACE C-811 'U'-HOUSING INTO SLOT CREATED IN STEP 5 WITH PIN TOWARDS CENTRE OF DOOR. HOUSING SHOULD BE SET 1/8" FROM EDGE OF DOOR IN ORDER TO ACCOMMODATE END CAP. SEE ILLUSTRATION IN STEP 11. SECURE TO DOOR WITH #10 X 1-3/4" FLATHEAD SCREWS (5). REPEAT FOR OPPOSITE END OF DOOR.

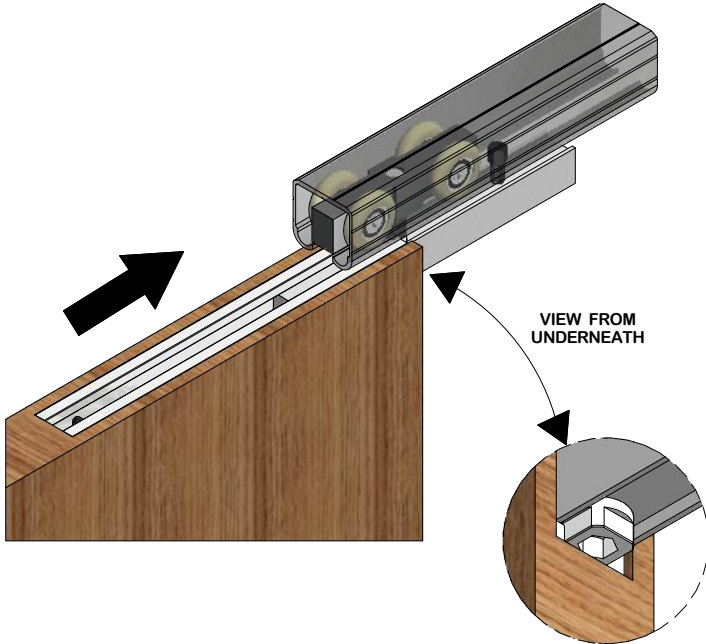


STEP 7

PREPARE DOOR FOR INSTALLATION OF OPTIONAL PRODUCTS SUCH AS GUIDE CHANNELS, CUP PULLS, LOCKS, ETC, AS REQUIRED. INDIVIDUAL INSTRUCTIONS ARE PROVIDED WITH THE RESPECTIVE PRODUCT.

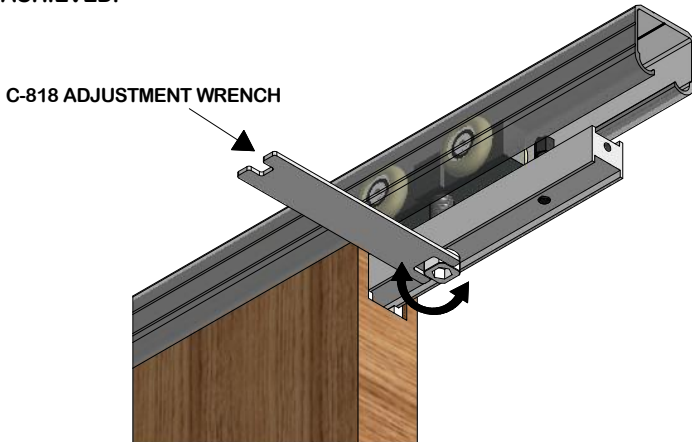
STEP 8

RAISE THE DOOR INTO POSITION AND SLIDE C-812 'H'-BAR INTO C-811 'U'-HOUSING. NOTE: THREADED END HOLE MUST FACE OUTWARD. THE SQUARE BASE OF THE C-814 HANGER STUD MUST BE ALIGNED WITH THE LOWER GUIDE CHANNEL SLOT OF THE C-811 'U'-HOUSING. THE PURPOSE OF THIS SQUARE BASE IS TO PREVENT ROTATION OF THE BOLT THEREFORE SECURING THE HEIGHT ADJUSTMENT. REPEAT STEP FOR OPPOSITE END OF DOOR.



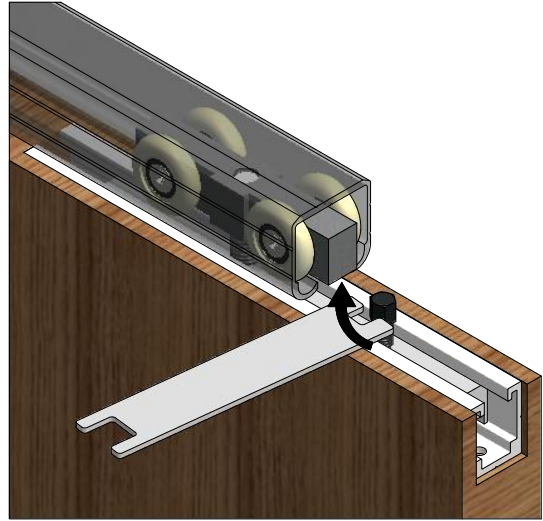
STEP 9

TO ADJUST DOOR HEIGHT AND PLUMB SLIDE C-812 'H'-BAR OUT OF C-811 'U'-HOUSING AND ADJUST C-814 HANGER STUD WITH C-818 ADJUSTMENT WRENCH. REPEAT UNTIL REQUIRED HEIGHT AND PLUMB IS ACHIEVED.



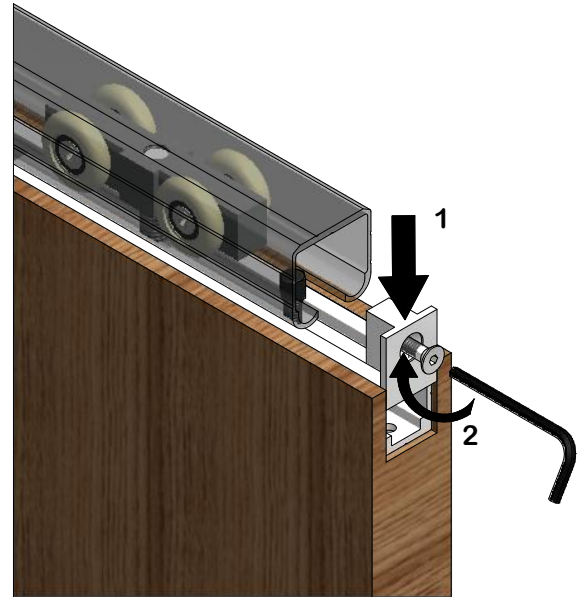
STEP 10

ONCE ADJUSTMENTS HAVE BEEN FINALIZED, SECURE C-816 SAFETY LOCK BOLT WITH C-818 ADJUSTMENT WRENCH. NOTE: THIS CUSTOM BOLT HAS BEEN MANUFACTURED TO ENGAGE A PRE-DRILLED POSITION IN THE C-811 'U'-HOUSING IN ORDER TO PREVENT ACCIDENTAL DISENGAGEMENT.

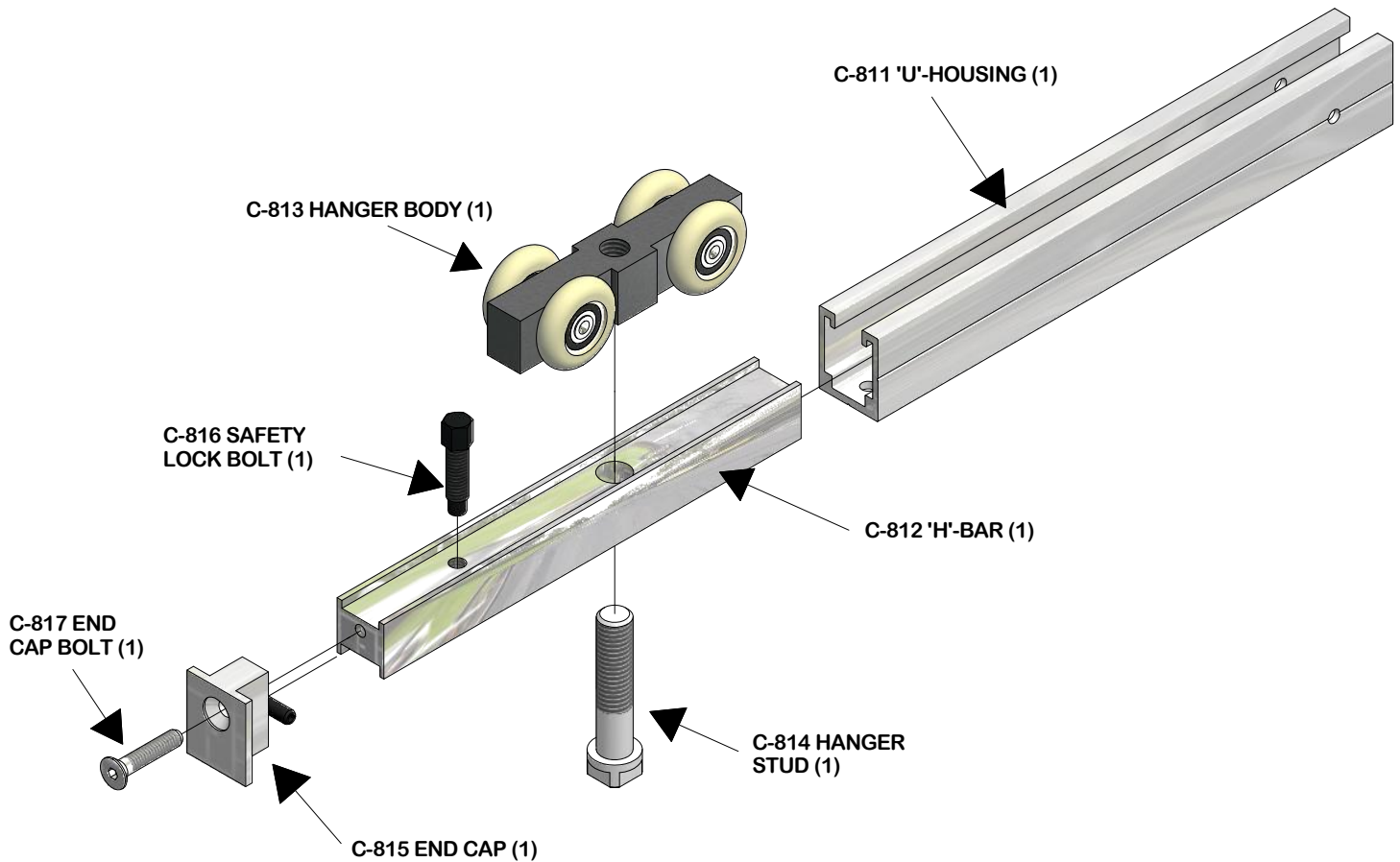


STEP 11

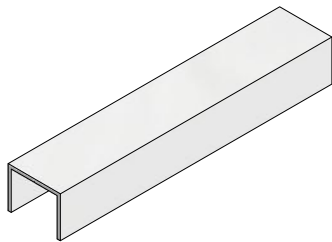
PLACE C-815 END CAP IN PLACE WITH THE LOWER PIN ENGAGING THE HOLE IN THE BOTTOM OF THE C-811 'U' HOUSING. SECURE END CAP IN PLACE WITH C-817 END CAP BOLT BY USING C-819 ALLEN KEY.



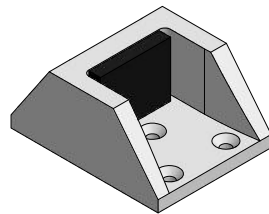
HOW IT ALL COMES TOGETHER



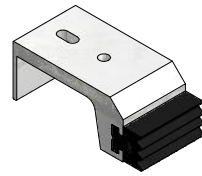
OPTIONAL PRODUCTS



C-914 GUIDE CHANNEL



C-102HD FLOOR STOP



C-100HD IN-TRACK STOP



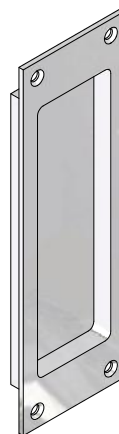
C-35 DOOR LOCK



C-913 GUIDE



C-110 FASCIA FOR C-108 TRACK ONLY.



C-90B FLUSH PULL



C-90L DOOR LOCK



SEE MORE @ KNCROWDER.COM