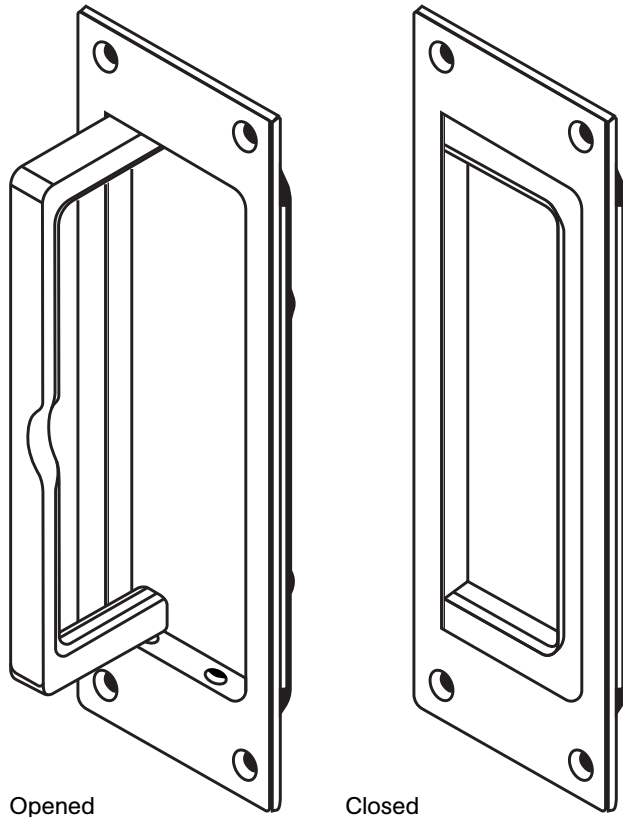


C-90BH Flush Pull

Template

Not to scale



Opened

Closed

C-90BH

Blank Flush Pull with Handle Pull

For C-90BH Blank Flush Pull single use, door prep should be as follows:

2.031 in wide x 5.594 in high x 0.375 in deep with corners at 0.25 in radius.

[51.6 mm wide x 142.1 mm high x 9.5 mm deep with corners at 6.4 mm radius]

