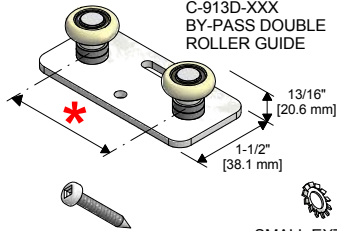
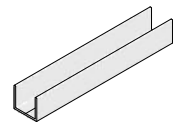


C-913D-XXX GUIDE SYSTEM INSTRUCTION SHEET



PARTS LIST



#10 X 1-1/4" PAN HEAD SCREWS (2 PER C-913D)

SMALL EXTERNAL TOOTH WASHER (2 PER C-913D)

*** C-913D DOUBLE GUIDE CENTER TO CENTER DIMENSIONS & PRODUCT REFERENCE:**

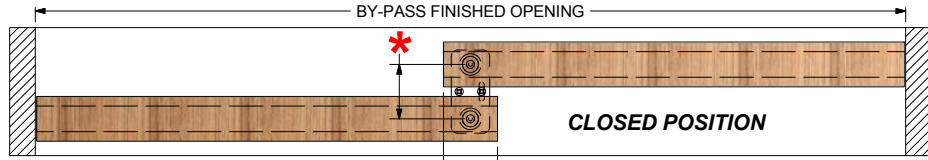
C-913D-134

FOR BY-PASSING 1-3/4" DOORS
(I.E. C-500 SERIES);
CENTER TO CENTER = 2-1/8" [54 mm]

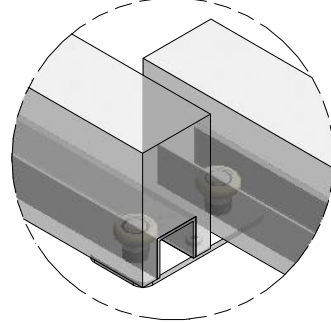
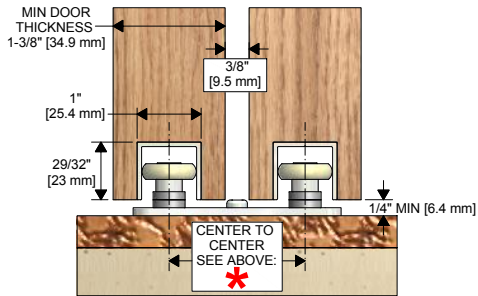
C-913D-138

FOR BY-PASSING 1-3/8" DOORS
(I.E. C-538 SERIES);
CENTER TO CENTER = 1-3/4" [44.5 mm]

TYPICAL INSTALLATION LOCATION FOR BY-PASSING FLOOR GUIDES: GUIDE CHANNEL IN DOOR WITH BY-PASSING GUIDE ON FLOOR



TYPICAL MINIMUM OVERLAP OF BY-PASSING DOORS: 2" [50.8 mm]



STEP 1

CUT C-914 ALUMINUM GUIDE CHANNEL TO CORRECT LENGTH IF REQUIRED (TYPICALLY, LENGTH EQUALS DOOR WIDTH. EXAMPLE: DOOR WIDTH IS 36" THEREFORE CHANNEL IS 36".)

STEP 2

PREPARE SLOT IN DOORS AT LEAST 1" [25.4 mm] WIDE IN CENTER OF DOOR, AND AT LEAST 29/32" [23 mm] DEEP. IT IS RECOMMENDED TO MAKE THE SLOT AS ACCURATE AS POSSIBLE FOR SECURE FIT AND NEAT APPEARANCE.

STEP 3

DRILL HOLES IN C-914 CHANNEL, AND PRE-DRILL HOLES IN DOORS. SCREW CHANNEL INTO PLACE WHILE KEEPING IT FLUSH WITH THE EDGE OF THE DOORS. (#8 SCREW SIZE RECOMMENDED)

STEP 4

LOCATE C-913D-138 (FOR 1-3/8" BY-PASSING DOORS) OR C-913D-134 (FOR 1-3/4" BY-PASSING DOORS) FLOOR GUIDE AS REQUIRED AND SECURE TO FLOOR WITH #10 X 1-1/4" PAN HEAD SCREWS (2) TYPICALLY IN THE MIDDLE OF A DOUBLE BY-PASSING DOOR OPENING WIDTH. EXAMPLE: IF OPENING IS 72" WIDE THE CENTER OF THE C-913D-XXX WOULD BE PLACED AT 36".

STEP 5

CONTINUE WITH PROJECT BY INSTALLING HANGERS AND PLACING DOOR IN POSITION. **NOTE: IT WILL BE IDEAL TO PLACE THE DOORS ON THE TRACK WITHOUT THE GUIDE IN POSITION TO DETERMINE WHERE THE DOORS ARE PLUMB. MARK THIS POSITION ON THE FLOOR FOR THE GUIDE TO BE PLACED IN THE CORRECT POSITION.**

K.N. CROWDER MFG. INC.
1220 BURLOAK DRIVE
BURLINGTON, ONTARIO, CANADA, L7L 6B3
TELEPHONE: 905-315-9788 - FAX: 905-315-8090
TOLL FREE PHONE: 1-866-999-1KNC (1562)
TOLL FREE FAX: 1-800-567-0123

K.N. CROWDER INC.
210 EIGHTH STREET SOUTH
LEWISTON, NEW YORK, U.S.A. 14092
TELEPHONE: 1-716-754-8247
TOLL FREE PHONE: 1-800-567-0123

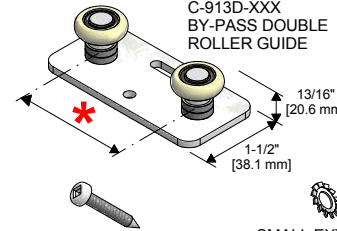
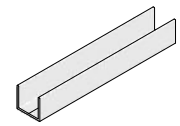
WEBSITE: www.kncrowder.com --- E-MAIL: customerservice@kncrowder.com



C-913D-XXX GUIDE SYSTEM INSTRUCTION SHEET



PARTS LIST



#10 X 1-1/4" PAN HEAD SCREWS (2 PER C-913D)

SMALL EXTERNAL TOOTH WASHER (2 PER C-913D)

*** C-913D DOUBLE GUIDE CENTER TO CENTER DIMENSIONS & PRODUCT REFERENCE:**

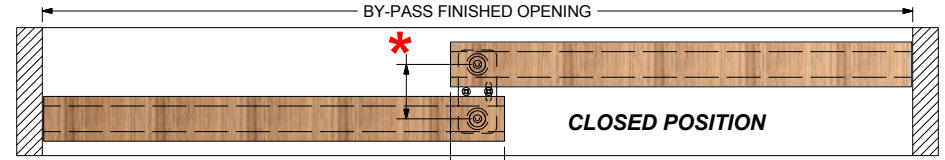
C-913D-134

FOR BY-PASSING 1-3/4" DOORS
(I.E. C-500 SERIES);
CENTER TO CENTER = 2-1/8" [54 mm]

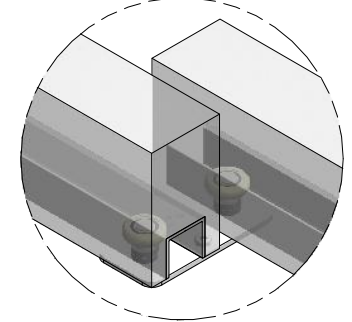
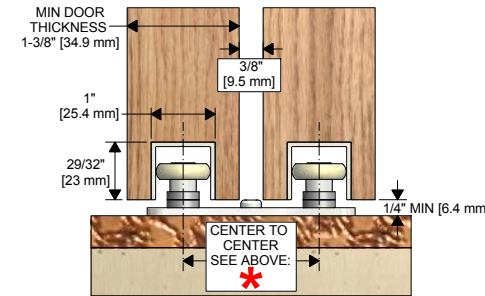
C-913D-138

FOR BY-PASSING 1-3/8" DOORS
(I.E. C-538 SERIES);
CENTER TO CENTER = 1-3/4" [44.5 mm]

TYPICAL INSTALLATION LOCATION FOR BY-PASSING FLOOR GUIDES: GUIDE CHANNEL IN DOOR WITH BY-PASSING GUIDE ON FLOOR



TYPICAL MINIMUM OVERLAP OF BY-PASSING DOORS: 2" [50.8 mm]



STEP 1

CUT C-914 ALUMINUM GUIDE CHANNEL TO CORRECT LENGTH IF REQUIRED (TYPICALLY, LENGTH EQUALS DOOR WIDTH. EXAMPLE: DOOR WIDTH IS 36" THEREFORE CHANNEL IS 36".)

STEP 2

PREPARE SLOT IN DOORS AT LEAST 1" [25.4 mm] WIDE IN CENTER OF DOOR, AND AT LEAST 29/32" [23 mm] DEEP. IT IS RECOMMENDED TO MAKE THE SLOT AS ACCURATE AS POSSIBLE FOR SECURE FIT AND NEAT APPEARANCE.

STEP 3

DRILL HOLES IN C-914 CHANNEL, AND PRE-DRILL HOLES IN DOORS. SCREW CHANNEL INTO PLACE WHILE KEEPING IT FLUSH WITH THE EDGE OF THE DOORS. (#8 SCREW SIZE RECOMMENDED)

STEP 4

LOCATE C-913D-138 (FOR 1-3/8" BY-PASSING DOORS) OR C-913D-134 (FOR 1-3/4" BY-PASSING DOORS) FLOOR GUIDE AS REQUIRED AND SECURE TO FLOOR WITH #10 X 1-1/4" PAN HEAD SCREWS (2) TYPICALLY IN THE MIDDLE OF A DOUBLE BY-PASSING DOOR OPENING WIDTH. EXAMPLE: IF OPENING IS 72" WIDE THE CENTER OF THE C-913D-XXX WOULD BE PLACED AT 36".

STEP 5

CONTINUE WITH PROJECT BY INSTALLING HANGERS AND PLACING DOOR IN POSITION. **NOTE: IT WILL BE IDEAL TO PLACE THE DOORS ON THE TRACK WITHOUT THE GUIDE IN POSITION TO DETERMINE WHERE THE DOORS ARE PLUMB. MARK THIS POSITION ON THE FLOOR FOR THE GUIDE TO BE PLACED IN THE CORRECT POSITION.**

K.N. CROWDER MFG. INC.
1220 BURLOAK DRIVE
BURLINGTON, ONTARIO, CANADA, L7L 6B3
TELEPHONE: 905-315-9788 - FAX: 905-315-8090
TOLL FREE PHONE: 1-866-999-1KNC (1562)
TOLL FREE FAX: 1-800-567-0123

K.N. CROWDER INC.
210 EIGHTH STREET SOUTH
LEWISTON, NEW YORK, U.S.A. 14092
TELEPHONE: 1-716-754-8247
TOLL FREE PHONE: 1-800-567-0123

WEBSITE: www.kncrowder.com --- E-MAIL: customerservice@kncrowder.com

